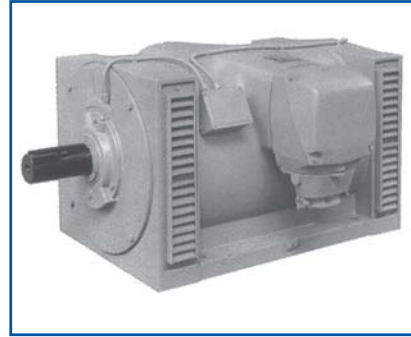


5.0 METRIC IEC STANDARD MOTORS



Three-Phase Aluminum Frame



Drip Proof Motors



Single Phase Motors



Increased Safety Motors



Brake Motors



Flame Proof Motors



Slip Ring Motors



Squirrel Cage with Air/Air Exchanger

TOTALLY ENCLOSED FAN-COOLED THREE-PHASE, SQUIRREL-CAGE MOTORS

LOW VOLTAGE



5.1 OUTPUT RANGE

The present catalog deals with TEFC, three-phase, squirrel cage induction motors (Series BF) with shaft heights from 71 up to 400 mm, in the following ranges:

- 0.37 up to 500 kW - 3000 rpm
- 0.185 up to 500 kW - 1500 rpm
- 0.12 up to 400 kW - 1000 rpm
- 0.09 up to 315 kW - 750 rpm

For either higher output and larger size motors and/or other speeds or voltages, please contact our Special Products Department.

5.2 STANDARDS

•DIMENSIONAL STANDARDS

The main dimensions of our BF series TEFC motors are according to IEC 72-1 (1991) that refers:

- the dimensions of foot-mounted motors,
- the dimensions of mounting flanges,
- the shaft extension dimensions,
- the preferred output values.

•INTERCHANGEABILITY STANDARDS

BF series TEFC motors are in accordance with CENELEC harmonization document HD 231 and also with most national interchangeability standards.

•QUALITY STANDARDS

The rating and performance of BF series TEFC motors meet the standards laid down in IEC 34-1 (1983). Their performances are also in accordance with most national standards specifically VDE 0530, NBN C 51-101, NF C 51-111. If required, the performances of BF motors may be changed and thereby adapted to special requirements or other national standards.

5.3 GENERAL CHARACTERISTICS

The characteristics listed below are the standard ones. If requested, others may be available.

•MECHANICAL PROTECTION

The standard degree of mechanical protection for motors, series BF4, is IP 54 and for motors, series BF5 and BF6, is IP 55 according to IEC 34-5 (1991).

•VOLTAGE AND FREQUENCY

MOTORS WITH FRAME SIZE UP TO 160

These motors are wound to work at either 50 Hz or 60 Hz, in the following voltage ranges:

Δ 220-240/250-280 V 50/60 Hz } For outputs up to
Y 380-415/440-480 V 50/60 Hz } 3 kW/3.6 kW

Δ 380-415/440-480 V 50/60 Hz For the remaining outputs

For any voltage value in these ranges, a variation of -5% to +6% is allowed according to the majority of the standards. The electrical characteristics detailed in this catalog apply to the standard voltages/frequencies shown above. Strictly speaking, these values will vary slightly with actual voltage and frequency, but the variations will generally remain within the tolerances given in IEC 34-1 (1983).

MOTORS WITH FRAME SIZES 180 AND ABOVE

These motors are wound for operation only at one of the above-mentioned voltages and frequencies.

•INSULATION

All the models referred to in this catalog are class F insulated.

•TEMPERATURE RISE

Although the maximum temperature rise allowed for class F insulation will be 105 K, in general, the temperature rise of BF motors is below 80 K measured by resistance variation according to IEC 34-1 (1983).

•NOISE LEVEL

BF series TEFC motors meet IEC 34-9 (1990) concerning noise limits.

•DYNAMIC BALANCING

BF series TEFC motors are dynamically balanced with a half key according to IEC 34-14 (1982).

5.4 CONSTRUCTION

•CASING

In sizes up to 160 the stator frame, the IM 1001 drive-end endshield, the non-drive end shield, and the terminal box are high-pressure die-cast in aluminum alloy. However, the endshields have integral cast iron liners forming the bearing housings. Flange endshields are in cast iron. In sizes 180 up to 225, the stator frame and the terminal box are low pressure die-cast also in aluminum alloy, the endshields being in cast iron. In sizes 250 and above, all of these parts are in cast iron.

INDUSTRIAL MOTORS

•SQUIRREL CAGE

The squirrel cages are in die-cast aluminum, the casting being by high-pressure or by centrifugation. However, the cages of the motors BF6 400, or 1000 and 750 rpm, are formed by copper bars brazed to copper end-rings using medium frequency technology.

•TERMINAL BOX

On motors up to size 225 the terminal box is an integral part of the frame. Motors, sizes 250 and above, have a conventional terminal box that can rotate 180°. As standard in this range the terminal box entries are on the right side of the motor viewed from shaft end. By rotating the terminal box, these entries can be transferred to the left side. Below are the standard terminal arrangements and terminal box entries.

Motor Types	Quantities and Sizes	
	Terminals	Terminal Box Entries
BF5 71 up to BF5 90	6 x M4	2 x \emptyset 22.5 ⁽¹⁾
BF5 100 and BF5 112	6 x M4	4 x \emptyset 28.5 ⁽²⁾
BF5 132	6 x M6	4 x \emptyset 28.5 ⁽²⁾
BF5 160	6 x M6	4 x \emptyset 37 ⁽²⁾
BF5 180	6 x M8	4 x \emptyset 37 ⁽²⁾
BF5 200 and BF5 225	6 x M8	4 x \emptyset 47 ⁽²⁾
BF4 250 and BF4 280	6 x M10	2 x Pg 42 ⁽³⁾
BF4 315	6 x M10	2 x Pg 48 ⁽³⁾
BF6 315 up to BF6 400	6 x M12	2 x Pg 48 ⁽³⁾

(¹) One entry on each side

(²) Two entries on each side

(³) Two entries on the right side that can be transferred to the left side

•EARTH CONNECTION

All motors are equipped with an earth screw or an earth bar inside the terminal box. Earth bars are used on size 250 and above. All motors size 112 and above have a second earth screw or earth bar on one foot or on the flange as the case may be.

•BEARINGS AND LUBRICATION

The motors of series BF5 are equipped on both sides with deep groove ball bearings greased for life and pre-loaded by an axial spring washer. The motors of series BF4 are equipped with a roller bearing on one side and a deep groove ball bearing on the other side. Grease nipples and grease valves are provided on both sides. The motors of series BF6 are equipped on both sides with deep groove ball bearings and pre-loaded by an axial spring washer. Grease nipples and grease valves are provided on both sides.

The standard drive end bearing will be replaced by a roller one when belt transmission is used or by an angular contact bearing when the mounting form is vertical. The bearing types for the motors referred to in this catalog are as follows:

Motor Type	Speed (rpm)	Bearing Reference	
		Drive End	Non-Drive End
BF5 71	All	6202 2Z C3	6202 2Z C3
BF5 80	All	6204 2Z C3	6202 2Z C3
BF5 90	All	6205 2Z C3	6204 2Z C3
BF5 100	All	6206 2Z C3	6205 2Z C3
BF5 112	All	6206 2Z C3	6205 2Z C3
BF5 132	All	6208 2Z C3	6208 2Z C3
BF5 160	All	6209 2Z C3	6209 2Z C3
BF5 180	All	6210 2Z C3	6210 2Z C3
BF5 200	All	6212 2Z C3	6212 2Z C3
BF5 225	All	6213 2Z C3	6212 2Z C3
BF4 250	All	NU 314	6314 C3
BF4 280	3000	6314 C3	NU 314
BF4 280	Other	NU 316	6314 C3
BF4 315	3000	6314 C3	NU 316
BF4 315	Other	NU 317	6314 C3
BF6 315	3000	6219 C3	6219 C3
BF6 315	Other	6220 C3	6219 C3
BF6 355	3000	6219 C3	6219 C3
BF6 355	Other	6222 C3	6219 C3
BF6 400	3000	6219 C3	6219 C3
BF6 400	Other	6224 C3	6219 C3

In IP55 motors the following V-Ring joints are used:

Motor Type	Speed (rpm)	V-Ring Reference	
		Drive End	Non-Drive End
BF5 71	All	V-14 A	V-14 A
BF5 80	All	V-18 A	V-14 A
BF5 90	All	V-25 A	V-18 A
BF5 100	All	V-30 A	V-25 A
BF5 112	All	V-30 A	V-25 A
BF5 132	All	V-40 A	V-40 A
BF5 160	All	V-45 A	V-45 A
BF5 180	All	V-50 A	V-50 A
BF5 200	All	V-60 A	V-60 A
BF5 225	All	V-65 A	V-60 A
BF6 315	3000	V-95 A	V-95 A
BF6 315	Other	V-100 A	V-95 A
BF6 355	3000	V-95 A	V-95 A
BF6 355	Other	V-110 A	V-95 A
BF6 400	3000	V-95 A	V-95 A
BF6 400	Other	V-120 A	V-95 A

•FAN AND FAN COVER

Up to shaft height 160, the motors are equipped with a polypropylene fan, radially protected by a cover in aluminum alloy that is an integral part of the endshield, and axially protected by a polypropylene grid.

Motors of shaft height 180 and above are equipped with fans that can be made from polypropylene, aluminum alloy or welded construction. The fan covers are in stamped steel or welded constructed.

INDUSTRIAL MOTORS

•DIRECTION OF ROTATION

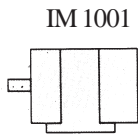
The motors up to a shaft height of 355 are equipped with a bi-directional fan so that they can turn in both directions. Motors of shaft height 400 are equipped with directional fans. The required direction of rotation of these motors must be specified in the order.

•DRAIN HOLES

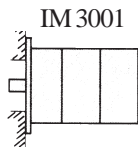
The motors up to shaft height 160 are not provided with drain holes. All the remaining motors have drain holes whose location depends on the mounting form of the motor.

•NORMAL MOUNTINGS

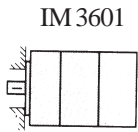
The normal mounting positions are the following, identified in IEC 34-7 code II:



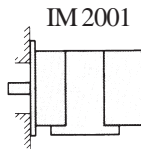
Motor with feet down. One shaft end.



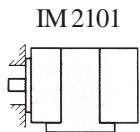
Motor without feet. One shaft end. Drive end flange mounting with free fixing holes. Horizontally mounted (available up to type BF4 315).



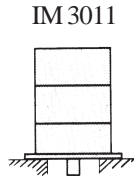
Motor without feet. One shaft end. Drive end flange mounting with threaded fixing holes. Horizontally mounted (available up to type 112).



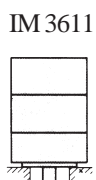
Motor with feet down. One shaft end. Drive end flange mounting with free fixing holes. Horizontally mounted.



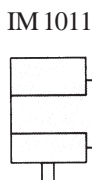
Motor with feet down. One shaft end. Drive end flange mounting with threaded fixing holes. Horizontally mounted.



As IM 3001, but vertically mounted with shaft end down.



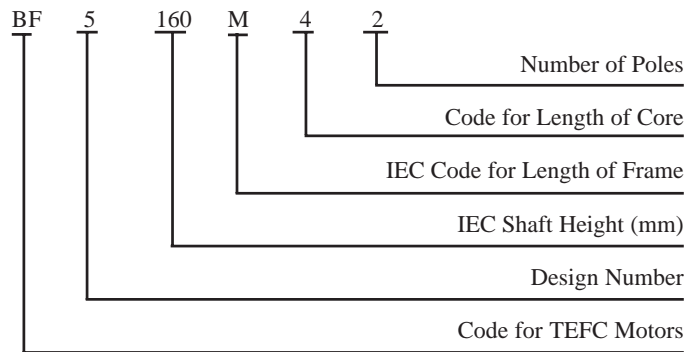
As IM 3601, but vertically mounted with shaft end down.



Motor with feet. Vertically mounted with shaft end down.

5.5 TECHNICAL DATA

• NOMENCLATURE KEY



•OUTPUT DERATING CONDITIONS

The outputs presented in the tables concern normal working conditions according to IEC 34-1 (1983). Environmental and electrical site conditions (altitude, atmosphere temperature, form and symmetry of voltage, and voltage variation during the operation) must be maintained within certain limits in order to get the nominal output from the motor. If these limits are not respected, then a reduction of output will occur as stated below:

Voltage

These motors can supply this nominal output only if the voltage variation is less than 5%. If a greater deviation occurs, then the output must be reduced to avoid dangerous overheating. The figures below should be observed:

Voltage Deviation	Output Reduction
± 5%	0%
± 7.5%	5%
± 10%	10%

Ambient Temperature

These motors can supply their nominal output if the atmosphere temperature is no more than 40°C. If a higher atmosphere temperature is expected, then the output must be reduced to avoid dangerous overheating. The figures below should be observed:

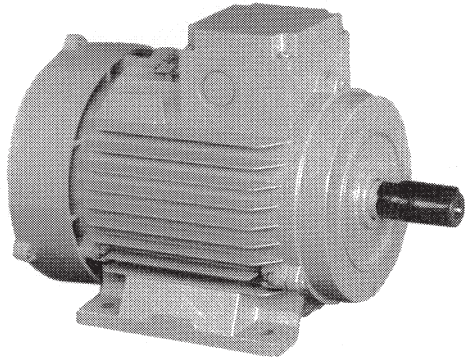
Ambient Temperature	Output Reduction
40°C	0%
45°C	5%
50°C	10%
55°C	15%
60°C	20%

Altitude

These motors were designed to operate at an altitude not exceeding 1000 m above sea level. If site conditions exceed this altitude, the following output reduction must be made:

Altitude Above Sea Level (m)	Output Reduction for Atmosphere Temperature of	
	40°C	25°C
1000	0%	0%
2000	6%	0%
3000	12%	0%
4000	18%	6%

Ametric® Motor Part Number Breakdown



Ametric® Motors are generally:

1. AC
2. Three Phase
3. IEC Standard
4. Class F
5. Totally Enclosed Fan Cooled
6. 50Hz/60Hz
7. NOT Premium Efficiency Rated

B14 = Small Flange
 G = B5 = Large Flange
 P = Foot Mount

Not Used Number of Poles Type of Mount

B F 5
7
1
 M 4 4 G . 3 7

Three Phase
AC Motor

Frame
Size

Length
Thru Core

KW Rating
@ 50Hz

BFF5 = Brake Motor

Small, Medium
and Large

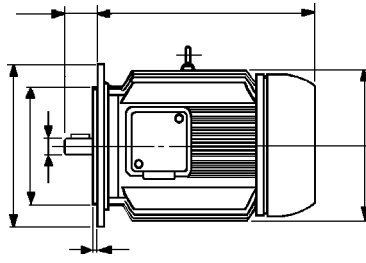
50Hz = "European"
60Hz = "American"

- 2 Pole = 3600rpm@60Hz with nominal load (3000rpm@50Hz)
- 4 Pole = 1800rpm@60Hz with nominal load (1500rpm@50Hz)
- 6 Pole = 1200rpm@60Hz with nominal load (1000rpm@50Hz)
- 8 Pole = 900rpm@60Hz with nominal load (750 rpm@50Hz)

7200 / # of Poles = RPM

Please see the catalog for further details!

STANDARD MOTOR METRIC IEC STANDARD



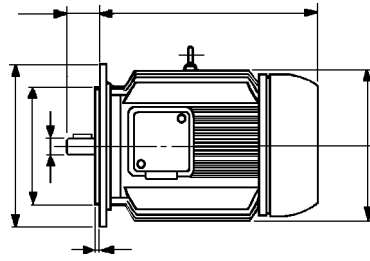
60Hz* 3600RPM 2 Pole
250-280 or 440-480V

50Hz* 3000RPM 2 Pole
220-240V or 380-415V

Part Number	Type Mount	kW	HP	Weight kg	Part Number	Type Mount	kW	HP	Weight kg
BF7 56M22 P 0.09	foot	0.09	0.12	–	BF7 56M22 G 0.09	flange	0.09	0.12	–
BF7 56M42 P 0.13	foot	0.13	0.17	–	BF7 56M42 G 0.09	flange	0.13	0.17	–
BF7 63M22 P 0.18	foot	0.18	0.25	3.9	BF7 63M22 P 0.18	flange	0.18	0.25	3.9
BF7 63M42 P 0.25	foot	0.25	0.34	4.3	BF7 63M42 P 0.25	flange	0.25	0.34	4.3
BF5 71M42 P 0.25	foot	0.25	0.34	5.8	BF5 71M42 G 0.25	flange	0.25	0.34	5.8
BF5 71M42 P 0.37	foot	0.37	0.50	5.8	BF5 71M42 G 0.37	flange	0.37	0.50	5.8
BF5 71M42 P 0.55	foot	0.55	0.74	5.8	BF5 71M42 G 0.55	flange	0.55	0.74	5.8
BF5 80M42 P 0.75	foot	0.75	1.01	9.0	BF5 80M42 G 0.75	flange	0.75	1.01	9.0
BF5 80M42 P 1.1	foot	1.1	1.47	9.0	BF5 80M42 G 1.1	flange	1.1	1.47	9.0
BF5 90S22 P 1.5	foot	1.5	2.01	12	BF5 90S22 G 1.5	flange	1.5	2.01	12
BF5 90L42 P 2.2	foot	2.2	2.95	14	BF5 90L42 G 2.2	flange	2.2	2.95	14
BF5 100L42 P 3	foot	3	4.02	20	BF5 100L42 G 3	flange	3	4.02	20
BF5 112M22 P 4	foot	4	5.36	24	BF5 112M22 G 4	flange	4	5.36	24
BF5 132S42 P 5.5	foot	5.5	7.37	39	BF5 132S42 G 5.5	flange	5.5	7.37	39
BF5 132S62 P 7.5	foot	7.5	10.05	45	BF5 132S62 G 7.5	flange	7.5	10.05	45
BF5 132S62FS P 9	foot	9	12.06	54	BF5 132S62FS G 9	flange	9	12.06	54
BF5 160M22 P 11	foot	11	14.75	65	BF5 160M22 G 11	flange	11	14.75	65
BF5 160M42 P 15	foot	15	20.11	70	BF5 160M42 G 15	flange	15	20.11	70
BF5 160L62 P 18.5	foot	18.5	24.80	83	BF5 160L62 G 18.5	flange	18.5	24.80	83
BF5 180M42 P 22	foot	22	29.49	120	BF5 180M42 G 22	flange	22	29.49	120
BF5 200L62 P 30	foot	30	40.21	149	BF5 200L62 G 30	flange	30	40.21	149
BF5 200L82 P 37	foot	37	49.60	185	BF5 200L82 G 37	flange	37	49.60	185
BF5 225M42 P 45	foot	45	60.32	195	BF5 225M42 G 45	flange	45	60.32	195
BF4 250M42 P 55	foot	55	73.73	445	BF4 250M42 G 55	flange	55	73.73	445
BF4 280SA42 P 75	foot	75	100.54	455	BF4 280SA42 G 75	flange	75	100.54	455
BF4 280MA62 P 90	foot	90	120.64	500	BF4 280MA62 G 90	flange	90	120.64	500
BF4 315SA42 P 110	foot	110	147.45	735	BF4 315SA42 G 110	flange	110	147.45	735
BF4 315MA62 P 132	foot	132	176.94	805	BF4 315MA62 G 132	flange	132	176.94	805
BF6 315L22 P 160	foot	160	214.48	1,015	BF6 315L22 G 160	flange	160	214.48	1,015
BF6 315L42 P 200	foot	200	268.10	1,160	BF6 315L42 G 200	flange	200	268.10	1,160
BF6 355M02 P 250	foot	250	335.12	1,325	BF6 355M02 G 250	flange	250	335.12	1,325
BF6 355M22 P 280	foot	280	375.34	1,450	BF6 355M22 G 280	flange	280	375.34	1,450
BF6 355M42 P 315	foot	315	422.25	1,650	BF6 355M42 G 315	flange	315	422.25	1,650
BF6 355L62 P 355	foot	355	475.87	1,820	BF6 355L62 G 355	flange	355	475.87	1,820
BF6 400L02 P 400	foot	400	536.19	2,300	BF6 400L02 G 400	flange	400	536.19	2,300
BF6 400L22 P 450	foot	450	603.22	2,500	BF6 400L22 G 450	flange	450	603.22	2,500
BF6 400L42 P 500	foot	500	670.24	2,700	BF6 400L42 G 500	flange	500	670.24	2,700

* All Ametric® Motors are designed to operate domestically at 60Hz and for export at 50Hz (with a corresponding change in voltage and RPMs) and are available with either foot or flange mountings. For outputs lower than 3 kw Δ terminals = 220-240V/250-280V 50/60Hz & Y terminals = 380-415V/440-480V 50/60Hz. For outputs greater than 3 kw only Δ terminals available at 380-415V/440-480V 50/60Hz. (voltage variation -5% +6%)

STANDARD MOTOR METRIC IEC STANDARD



60Hz* 1800RPM 4 Pole
250-280 or 440-480V

50Hz* 1500RPM 4 Pole
220-240V or 380-415V

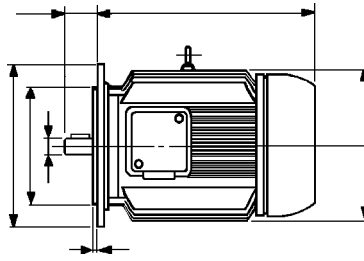
Part Number	Type Mount	kW	HP	Weight kg	Part Number	Type Mount	kW	HP	Weight kg
BF7 56M44 P 0.09	foot	0.09	0.12	–	BF7 56M44 G 0.09	flange	0.09	0.12	–
BF7 63M24 P 0.12	foot	0.12	0.16	3.9	BF7 63M24 P 0.12	flange	0.12	0.16	3.9
BF7 63M44 P 0.18	foot	0.18	0.25	4.3	BF7 63M44 P 0.18	flange	0.18	0.25	4.3
BF5 71M44 P 0.18	foot	0.18	0.24	5.8	BF5 71M44 G 0.18	flange	0.18	0.24	5.8
BF5 71M44 P 0.25	foot	0.25	0.34	5.8	BF5 71M44 G 0.25	flange	0.25	0.34	5.8
BF5 71M44 P 0.37	foot	0.37	0.50	5.8	BF5 71M44 G 0.37	flange	0.37	0.50	5.8
BF5 80M44 P 0.55	foot	0.55	0.74	8.5	BF5 80M44 G 0.55	flange	0.55	0.74	8.5
BF5 80M44 P 0.75	foot	0.75	1.01	8.5	BF5 80M44 G 0.75	flange	0.75	1.01	8.5
BF5 90S24 P 1.1	foot	1.1	1.47	11.5	BF5 90S24 G 1.1	flange	1.1	1.47	11.5
BF5 90L44 P 1.5	foot	1.5	2.01	13.5	BF5 90L44 G 1.5	flange	1.5	2.01	13.5
BF5 100L24 P 2.2	foot	2.2	2.95	18	BF5 100L24 G 2.2	flange	2.2	2.95	18
BF5 100L44 P 3	foot	3	4.02	21	BF5 100L44 G 3	flange	3	4.02	21
BF5 112M44 P 4	foot	4	5.36	25	BF5 112M44 G 4	flange	4	5.36	25
BF5 132S44 P 5.5	foot	5.5	7.37	38	BF5 132S44 G 5.5	flange	5.5	7.37	38
BF5 132M84 P 7.5	foot	7.5	10.05	45	BF5 132M84 G 7.5	flange	7.5	10.05	45
BF5 132M84FS P 9	foot	9	12.06	54	BF5 132M84FS G 9	flange	9	12.06	54
BF5 160M44 P 11	foot	11	14.75	69	BF5 160M44 G 11	flange	11	14.75	69
BF5 160L64 P 15	foot	15	20.11	81	BF5 160L64 G 15	flange	15	20.11	81
BF5 180M44 P 18.5	foot	18.5	24.80	113	BF5 180M44 G 18.5	flange	18.5	24.80	113
BF5 180L64 P 22	foot	22	29.49	125	BF5 180L64 G 22	flange	22	29.49	125
BF5 200L64 P 30	foot	30	40.21	160	BF5 200L64 G 30	flange	30	40.21	160
BF5 225S24 P 37	foot	37	49.60	183	BF5 225S24 G 37	flange	37	49.60	183
BF5 225M44 P 45	foot	45	60.32	195	BF5 225M44 G 45	flange	45	60.32	195
BF4 250M44 P 55	foot	55	73.73	390	BF4 250M44 G 55	flange	55	73.73	390
BF4 280SA44 P 75	foot	75	100.54	470	BF4 280SA44 G 75	flange	75	100.54	470
BF4 280MA84 P 90	foot	90	120.64	550	BF4 280MA84 G 90	flange	90	120.64	550
BF4 315SA44 P 110	foot	110	147.45	750	BF4 315SA44 G 110	flange	110	147.45	750
BF4 315MA64 P 132	foot	132	176.94	820	BF4 315MA64 G 132	flange	132	176.94	820
BF6 315L24 P 160	foot	160	214.48	1,150	BF6 315L24 G 160	flange	160	214.48	1,150
BF6 315L44 P 200	foot	200	268.10	1,275	BF6 315L44 G 200	flange	200	268.10	1,275
BF6 355M04 P 250	foot	250	335.12	1,410	BF6 355M04 G 250	flange	250	335.12	1,410
BF6 355M24 P 280	foot	280	375.34	1,520	BF6 355M24 G 280	flange	280	375.34	1,520
BF6 355M44 P 315	foot	315	422.25	1,630	BF6 355M44 G 315	flange	315	422.25	1,630
BF6 355L64 P 355	foot	355	475.87	1,800	BF6 355L64 G 355	flange	355	475.87	1,800
BF6 400L24 P 400	foot	400	536.19	2,400	BF6 400L24 G 400	flange	400	536.19	2,400
BF6 400L44 P 450	foot	450	603.22	2,650	BF6 400L44 G 450	flange	450	603.22	2,650
BF6 400L64 P 500	foot	500	670.24	2,880	BF6 400L64 G 500	flange	500	670.24	2,880

* All Ametric® Motors are designed to operate domestically at 60Hz and for export at 50Hz (with a corresponding change in voltage and RPMs) and are available with either foot or flange mountings. For outputs lower than 3 kw Δ terminals = 220-240V/250-280V 50/60Hz & Y terminals = 380-415V/440-480V 50/60Hz. For outputs greater than 3 kw only Δ terminals available at 380-415V/440-480V 50/60Hz. (voltage variation -5% +6%)

84 American Metric® Corporation

G = B5 Flange unless otherwise specified.

STANDARD MOTOR METRIC IEC STANDARD



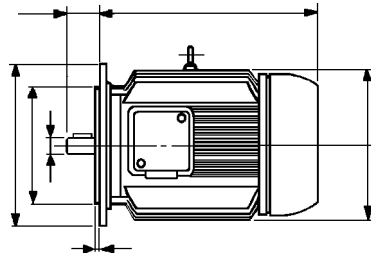
60Hz* 1200RPM 6 Pole
250-280 or 440-480V

50Hz* 1000RPM 6 Pole
220-240V or 380-415V

Part Number	Type Mount	kW	HP	Weight kg	Part Number	Type Mount	kW	HP	Weight kg
BF7 56M46 P 0.06	foot	0.06	0.08	–	BF5 71M46 G 0.12	flange	0.12	0.16	5.8
BF5 71M46 P 0.12	foot	0.12	0.16	5.8	BF5 71M46 G 0.185	flange	0.185	0.25	5.8
BF5 71M46 P 0.185	foot	0.185	0.25	5.8	BF5 71M46 G 0.25	flange	0.25	0.34	5.8
BF5 71M46 P 0.25	foot	0.25	0.34	5.8	BF5 80M46 G 0.37	flange	0.37	0.50	8.5
BF5 80M46 P 0.37	foot	0.37	0.50	8.5	BF5 80M66 G 0.55	flange	0.55	0.74	9.0
BF5 80M66 P 0.55	foot	0.55	0.74	9.0	BF5 90S26 G 0.75	flange	0.75	1.01	11.5
BF5 90S26 P 0.75	foot	0.75	1.01	11.5	BF5 90L66 G 1.1	flange	1.1	1.47	15
BF5 90L66 P 1.1	foot	1.1	1.47	15	BF5 100L46 G 1.5	flange	1.5	2.01	21
BF5 100L46 P 1.5	foot	1.5	2.01	21	BF5 112M46 G 2.2	flange	2.2	2.95	25
BF5 112M46 P 2.2	foot	2.2	2.95	25	BF5 132S86 G 3	flange	3	4.02	44
BF5 132S86 P 3	foot	3	4.02	44	BF5 132M86 G 4	flange	4	5.36	44
BF5 132M86 P 4	foot	4	5.36	44	BF5 132M86 G 5.5	flange	5.5	7.37	49
BF5 132M86 P 5.5	foot	5.5	7.37	49	BF5 160M66 G 7.5	flange	7.5	10.05	75
BF5 160M66 P 7.5	foot	7.5	10.05	75	BF5 160L66 G 11	flange	11	14.75	77
BF5 160L66 P 11	foot	11	14.75	77	BF5 180L46 G 15	flange	15	20.11	123
BF5 180L46 P 15	foot	15	20.11	123	BF5 200L26 G 18.5	flange	18.5	24.80	125
BF5 200L26 P 18.5	foot	18.5	24.80	125	BF5 200L46 G 22	flange	22	29.49	140
BF5 200L46 P 22	foot	22	29.49	140	BF5 225M46 G 30	flange	30	40.21	180
BF5 225M46 P 30	foot	30	40.21	180	BF4 250M26 G 37	flange	37	49.60	370
BF5 250M26 P 37	foot	37	49.60	370	BF4 280SA26 G 45	flange	45	60.32	450
BF4 280SA26 P 45	foot	45	60.32	450	BF4 280MA46 G 55	flange	55	73.73	490
BF4 280MA46 P 55	foot	55	73.73	490	BF4 315SA46 G 75	flange	75	100.54	680
BF4 315SA46 P 75	foot	75	100.54	680	BF4 315MA66 G 90	flange	90	120.64	770
BF4 315MA66 P 90	foot	90	120.64	770	BF6 315L26 G 110	flange	110	147.45	1,050
BF6 315L26 P 110	foot	110	147.45	1,050	BF6 315L46 G 132	flange	132	176.94	1,100
BF6 315L46 P 132	foot	132	176.94	1,100	BF6 315L66 G 160	flange	160	214.48	1,200
BF6 315L66 P 160	foot	160	214.48	1,200	BF6 355M06 G 200	flange	200	268.10	1,525
BF6 355M06 P 200	foot	200	268.10	1,525	BF6 355M26 G 250	flange	250	335.12	1,750
BF6 355M26 P 250	foot	250	335.12	1,750	BF6 355L46 G 280	flange	280	375.34	1,940
BF6 355L46 P 280	foot	280	375.34	1,940	BF6 400L26 G 315	flange	315	422.25	2,020
BF6 400L26 P 315	foot	315	422.25	2,020	BF6 400L46 G 355	flange	355	475.87	2,230
BF6 400L46 P 355	foot	355	475.87	2,230	BF6 400L66 G 400	flange	400	536.19	2,500
BF6 400L66 P 400	foot	400	536.19	2,500					

* All Ametric® Motors are designed to operate domestically at 60Hz and for export at 50Hz (with a corresponding change in voltage and RPMs) and are available with either foot or flange mountings. For outputs lower than 3 kw Δ terminals = 220-240V/250-280V 50/60Hz & Y terminals = 380-415V/440-480V 50/60Hz. For outputs greater than 3 kw only Δ terminals available at 380-415V/440-480V 50/60Hz. (voltage variation -5% +6%)

STANDARD MOTOR METRIC IEC STANDARD



60Hz* 900RPM 8 Pole
250-280 or 440-480V

50Hz* 750RPM 8 Pole
220-240V or 380-415V

Part Number	Type Mount	kW	HP	Weight kg	Part Number	Type Mount	kW	HP	Weight kg
BF5 71M48 P 0.09	foot	0.09	0.12	5.8	BF5 71M48 G 0.09	flange	0.09	0.12	5.8
BF5 71M48 P 0.12	foot	0.12	0.16	5.8	BF5 71M48 G 0.12	flange	0.12	0.16	5.8
BF5 80M48 P 0.185	foot	0.185	0.25	8.5	BF5 80M48 G 0.185	flange	0.185	0.25	8.5
BF5 80M68 P 0.25	foot	0.25	0.34	9.0	BF5 80M68 G 0.25	flange	0.25	0.34	9.0
BF5 90S28 P 0.37	foot	0.37	0.50	11.5	BF5 90S28 G 0.37	flange	0.37	0.50	11.5
BF5 90L68 P 0.55	foot	0.55	0.74	15	BF5 90L68 G 0.55	flange	0.55	0.74	15
BF5 100L48 P 0.75	foot	0.75	1.01	21	BF5 100L48 G 0.75	flange	0.75	1.01	21
BF5 100L48 P 1.1	foot	1.1	1.47	21	BF5 100L48 G 1.1	flange	1.1	1.47	21
BF5 112M48 P 1.5	foot	1.5	2.01	25	BF5 112M48 G 1.5	flange	1.5	2.01	25
BF5 132S88 P 2.2	foot	2.2	2.95	44	BF5 132S88 G 2.2	flange	2.2	2.95	44
BF5 132M88 P 3	foot	3	4.02	44	BF5 132M88 G 3	flange	3	4.02	44
BF5 160M68 P 4	foot	4	5.36	80	BF5 160M68 G 4	flange	4	5.36	80
BF5 160M68 P 5.5	foot	5.5	7.37	80	BF5 160M68 G 5.5	flange	5.5	7.37	80
BF5 160L68 P 7.5	foot	7.5	10.05	81	BF5 160L68 G 7.5	flange	7.5	10.05	81
BF5 180L48 P 11	foot	11	14.75	115	BF5 180L48 G 11	flange	11	14.75	115
BF5 200L48 P 15	foot	15	20.11	140	BF5 200L48 G 15	flange	15	20.11	140
BF5 225S28 P 18.5	foot	18.5	24.80	170	BF5 225S28 G 18.5	flange	18.5	24.80	170
BF5 225M48 P 22	foot	22	29.49	180	BF5 225M48 G 22	flange	22	29.49	180
BF4 250M48 P 30	foot	30	40.21	395	BF4 250M48 G 30	flange	30	40.21	395
BF4 280SA48 P 37	foot	37	49.60	500	BF4 280SA48 G 37	flange	37	49.60	500
BF4 280MA68 P 45	foot	45	60.32	555	BF4 280MA68 G 45	flange	45	60.32	555
BF4 315SA48 P 55	foot	55	73.73	700	BF4 315SA48 G 55	flange	55	73.73	700
BF4 315MA68 P 75	foot	75	100.54	790	BF4 315MA68 G 75	flange	75	100.54	790
BF6 315L28 P 90	foot	90	120.64	960	BF6 315L28 G 90	flange	90	120.64	960
BF6 315L48 P 110	foot	110	147.45	1,075	BF6 315L48 G 110	flange	110	147.45	1,075
BF6 315L68 P 132	foot	132	176.94	1,225	BF6 315L68 G 132	flange	132	176.94	1,225
BF6 355M08 P 160	foot	160	214.48	1,360	BF6 355M08 G 160	flange	160	214.48	1,360
BF6 355M28 P 200	foot	200	268.10	1,600	BF6 355M28 G 200	flange	200	268.10	1,600
BF6 355L48 P 250	foot	250	335.12	1,950	BF6 355L48 G 250	flange	250	335.12	1,950
BF6 400L68 P 280	foot	280	375.34	2,450	BF6 400L68 G 280	flange	280	375.34	2,450
BF6 400L88 P 315	foot	315	422.25	2,650	BF6 400L88 G 315	flange	315	422.25	2,650

* All Ametric® Motors are designed to operate domestically at 60Hz and for export at 50Hz (with a corresponding change in voltage and RPMs) and are available with either foot or flange mountings. For outputs lower than 3 kw Δ terminals = 220-240V/250-280V 50/60Hz & Y terminals = 380-415V/440-480V 50/60Hz. For outputs greater than 3 kw only Δ terminals available at 380-415V/440-480V 50/60Hz. (voltage variation -5% +6%)

86 American Metric® Corporation

G = B5 Flange unless otherwise specified.

THREE-PHASE, SQUIRREL-CAGE MOTORS

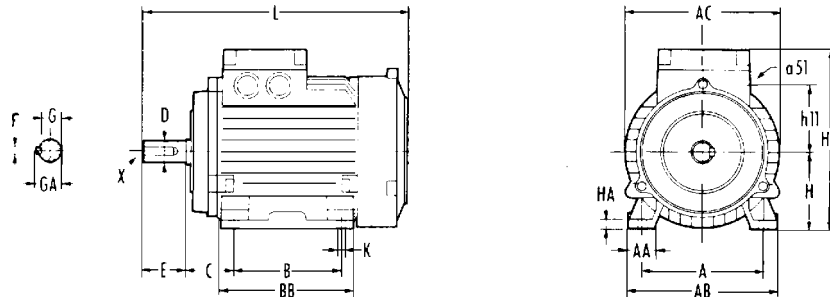
DIMENSIONS (MM)

BF7 63 UP TO 160 MOTORS

B3

FOOT MOUNTED MOTORS

IM FORM 1001; 1002; 1051; 1052; 1061; 1062; 1071; 1072; 1011; 1012; 1031; 1032



MOTOR TYPE	A	AA	AB	AC	B	BB	C	H	HA	HD	h11	K	L	a51		SHAFT EXTENSIONS					
														Hole ϕ	Cable Gland	D	E	F	G	GA	X
BF7 63M	100	—	—	122	80	—	40	63	8	164.5	52	11	203	—	—	11	23	4	9	12.5	M5 x 10
BF7 71M	112	25	132	140	90	110	45	71	8	177	63	7	227	1 x 22.5	Pg 16	14	30	5	11	16	M5 x 10
BF5 80M	125	27.5	150	157	100	120	50	80	9.5	192.5	68.5	10	265	1 x 22.5	Pg 16	19	40	6	15.5	21.5	M6 x 16
BF5 90S	140	30	171	180	100	127	56	90	10	210	78.5	10	283	1 x 22.5	Pg 16	24	50	8	20	27	M8 x 19
BF5 90L	140	30	171	180	125	152	56	90	10	210	78.5	10	308	1 x 22.5	Pg 16	24	50	8	20	27	M8 x 19
BF5 100L	160	35	195	200	140	175	63	100	12	235.5	90.5	12	350	1 x 28.5	Pg 21	28	60	8	24	31	M10 x 22
BF5 112M	190	40	220	211	140	175	70	112	12	257.5	88	12	382.5	2 x 28.5	Pg 21	28	60	8	24	31	M10 x 22
BF5 132S	216	52	260	257	140	218	89	132	16	295	103	12	478	2 x 28.5	Pg 21	38	80	10	33	41	M12 x 28
BF5 132M	216	52	260	257	178	218	89	132	16	295	103	12	478	2 x 28.5	Pg 21	38	80	10	33	41	M12 x 28
BF5 160M	254	60	300	292	210	300	106	160	18	356	120	14.5	606	2 x 37	Pg 29	42	110	12	37	45	M16 x 36
BF5 160L	254	60	300	292	251	300	108	160	18	356	120	14.5	606	2 x 37	Pg 29	42	110	12	37	45	M16 x 36

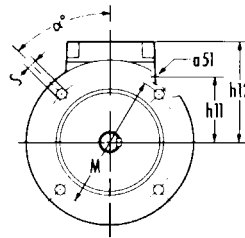
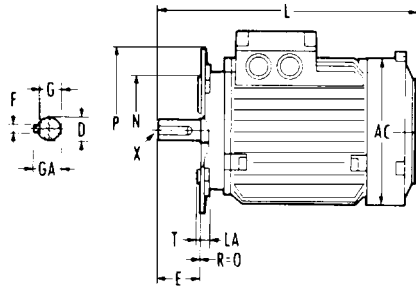
THREE-PHASE, SQUIRREL-CAGE MOTORS

BF7 63 UP TO 160 MOTORS

B5

FLANGE MOUNTED MOTORS

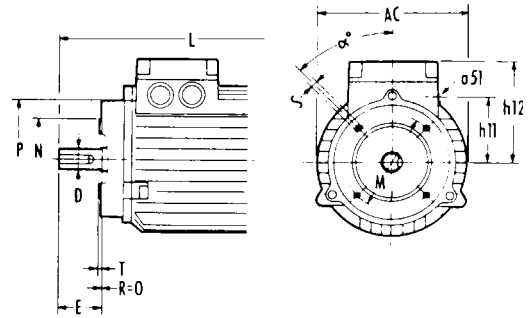
FREE-GOING FIXING HOLES
IM FORM 3001; 3002; 3011; 3012; 3031; 3032



B14

THREADED FIXING HOLES

IM FORM 3601; 3602; 3611; 3612; 3631; 3632



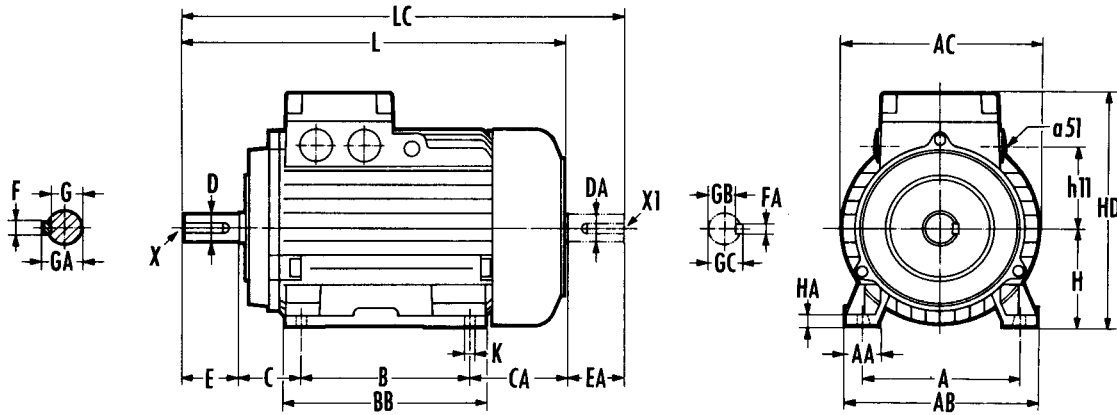
MOTOR TYPE	FLANGE DIMENSIONS									MAIN DIMENSIONS					SHAFT EXTENSIONS						
	IM Form	IEC	M	N	P	LA	T	α	S	AC	h11	h12	L	a51		D	E	F	G	GA	X
														Hole ø	Cable Gland						
BF7 63M	30 --	F115	115	95	140	8	2.5	90°	9.5	122	52	92	203	—	—	11	23	4	9	12.5	M5 x 10
	36 --	F75	75	60	90	—	—	90°	M5	122	52	92	203	—	—	11	23	4	9	12.5	M5 x 10
BF7 71M	30 --	F130	130	110	160	8	3.5	45°	10	140	63	106	227	22.5	Pg 16	14	30	5	11	16	M5 x 10
	36 --	F85	85	70	105	—	2.5	45°	M6	140	63	106	227	22.5	Pg 16	14	30	5	11	16	M5 x 10
BF5 80M	30 --	F165	165	130	200	8	3.5	45°	12	157	68.5	112.5	265	22.5	Pg 16	19	40	6	15.5	21.5	M6 x 16
	36 --	F100	100	80	120	—	3	45°	M6	157	68.5	112.5	265	22.5	Pg 16	19	40	6	15.5	21.5	M6 x 16
BF5 90S	30 --	F165	165	130	200	10	3.5	45°	12	180	78.5	120	283	22.5	Pg 16	24	50	8	20	27	M8 x 19
	36 --	F115	115	95	140	—	3	45°	M8	180	78.5	120	283	22.5	Pg 16	24	50	8	20	27	M8 x 19
BF5 90L	30 --	F165	165	130	200	10	3.5	45°	12	180	78.5	120	308	22.5	Pg 16	24	50	8	20	27	M8 x 19
	36 --	F115	115	95	140	—	3	45°	M8	180	78.5	120	308	22.5	Pg 16	24	50	8	20	27	M8 x 19
BF5 100L	30 --	F215	215	180	250	12	4	45°	14.5	200	90.5	135.5	350	28.5	Pg 21	28	60	8	24	31	M10 x 22
	36 --	F130	130	110	160	—	3.5	45°	M8	200	90.5	135.5	350	28.5	Pg 21	28	60	8	24	31	M10 x 22
BF5 112M	30 --	F215	215	180	250	12	4	45°	14.5	211	88	145.5	382.5	28.5	Pg 21	28	60	8	24	31	M10 x 22
	36 --	F130	130	110	160	—	3.5	45°	M8	211	88	145.5	382.5	28.5	Pg 21	28	60	8	24	31	M10 x 22
BF5 132S-M	30 --	F265	265	230	300	12	4	45°	14.5	257	103	163	478	28.5	Pg 21	38	80	10	33	41	M12 x 28
	36 --	F165	165	130	195	—	3.5	45°	M10	257	103	163	478	28.5	Pg 21	38	80	10	33	41	M12 x 28
BF5 160M-L	30 --	F300	300	250	350	13	5	45°	18.5	292	120	196	606	37	Pg 29	42	110	12	37	45	M16 x 36

* ISO tolerances: 14 i 6 (+0.008/-0.003); 19, 24, 28 j 6 (+0.009/-0.004); 38, 42 k 6 (+0.018/+0.002)

TOTALLY ENCLOSED FAN-COOLED THREE-PHASE MOTORS

FOOT MOUNTED MOTORS

IM 1001; 1002; 1051; 1052; 1061; 1062; 1071; 1072; 1011; 1012; 1031; 1032



DIMENSIONS (mm)

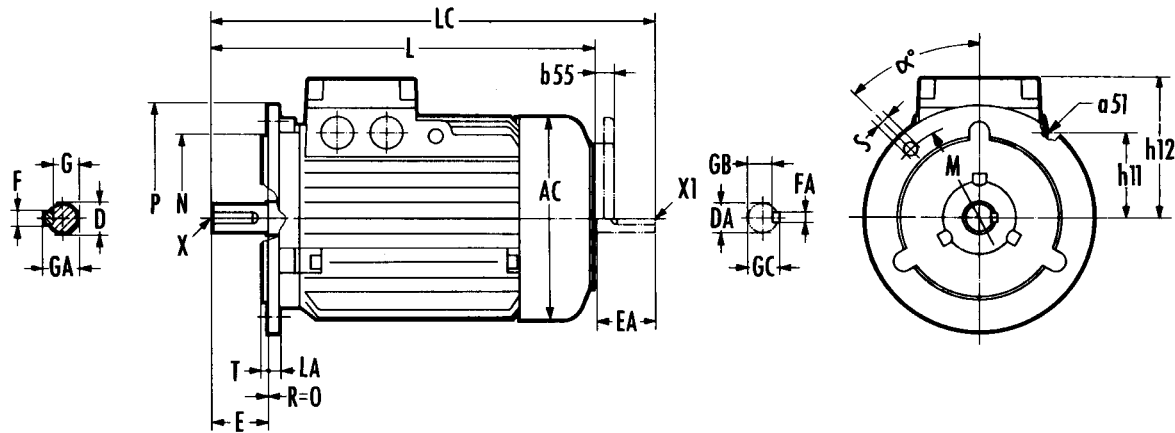
MOTOR TYPE	DIMENSIONS (mm)																			SHAFT EXTENSIONS									
	A	AA	AB	AC	B	BB	C	CA	H	HA	HD	h11	K	L	LC	a51 hole φ	a51 cable gland	D*	DA*	E	EA	F	FA	G	GA	GB	GC	X	X1
BF5 180M ⁽¹⁾	279	72	354	342	241	331	121	211	180	22	401	147,5	15	678	763	37	TA 29	48	38	110	80	14	10	42,5	51,5	33	41	M16×36	M12×28
BF5 180M ⁽²⁾	279	72	354	342	241	331	121	211	180	22	401	147,5	15	678	793	37	TA 29	48	42	110	110	14	12	42,5	51,5	37	45	M16×36	M16×36
BF5 180L ⁽²⁾	279	72	354	342	279	331	121	173	180	22	401	147,5	15	678	793	37	TA 29	48	42	110	110	14	12	42,5	51,5	37	45	M16×36	M16×36
BF5 200L ⁽¹⁾	318	75	388	381	305	366	133	210	200	25	442	155	19	753	868	47	TA 36	55	42	110	110	16	12	49	59	37	45	M20×42	M16×36
BF5 200L ⁽²⁾	318	75	388	381	305	366	133	210	200	25	442	155	19	753	868	47	TA 36	55	55	110	110	16	16	49	59	49	59	M20×42	M20×42
BF5 225S ⁽²⁾	356	81,5	416	381	286	371	149	229	225	28	467	155	19	799	914	47	TA 36	60	55	140	110	18	16	53	64	49	59	M20×42	M20×42
BF5 225M ⁽¹⁾	356	81,5	416	381	311	371	149	204	225	28	467	155	19	769	884	47	TA 36	55	42	110	110	16	12	49	59	37	45	M20×42	M16×36
BF5 225M ⁽²⁾	356	81,5	416	381	311	371	149	204	225	28	467	155	19	799	914	47	TA 36	60	55	140	110	18	16	53	64	49	59	M20×42	M20×42

(1) 3000 RPM motors
(2) 1500, 1000 and 750 RPM motors

* Tolerances ISO: 38, 42 and 48 k 6 $\begin{matrix} +0,018 \\ +0,002 \end{matrix}$; 55, and 60 m 6 $\begin{matrix} +0,030 \\ +0,011 \end{matrix}$

FLANGE MOUNTED MOTORS

IM 3001; 3002; 3011; 3012; 3031; 3032



DIMENSIONS (mm)

MOTOR TYPE	FLANGE DIMENSIONS										MAIN DIMENSIONS										SHAFT EXTENSIONS										
	Form IM	IEC	M	N	P	LA	T	α	No. holes	S	AC	h11	h12	L	LC	b55	a51 hole φ	a51 cable gland	D*	DA*	E	EA	F	FA	G	GA	GB	GC	X	X1	
BF5 180M ⁽¹⁾	30	—	F300	300	250	350	16	5	45°	4	19	342	147,5	221	678	763	45	37	TA 29	48	38	110	80	14	10	42,5	51,5	33	41	M16×36	M12×28
BF5 180MeL ⁽²⁾	30	—	F300	300	250	350	16	5	45°	4	19	342	147,5	221	678	793	45	37	TA 29	48	42	110	110	14	12	42,5	51,5	37	45	M16×36	M16×36
BF5 200L ⁽¹⁾	30	—	F350	350	300	400	16	5	45°	4	19	381	155	242	753	868	50	47	TA 36	55	42	110	110	16	12	49	59	37	45	M20×42	M16×36
BF5 200L ⁽²⁾	30	—	F350	350	300	400	16	5	45°	4	19	381	155	242	753	868	50	47	TA 36	55	55	110	110	16	16	49	59	49	59	M20×42	M20×42
BF5 225S ^a M ⁽²⁾	30	—	F400	400	350	450	16	5	22° 30'	8	19	381	155	242	799	914	50	47	TA 36	60	55	140	110	18	16	53	64	49	59	M20×42	M20×42
BF5 225M ⁽¹⁾	30	—	F400	400	350	450	16	5	22° 30'	8	19	381	155	242	769	884	50	47	TA 36	55	42	110	110	16	12	49	59	37	45	M20×42	M16×36

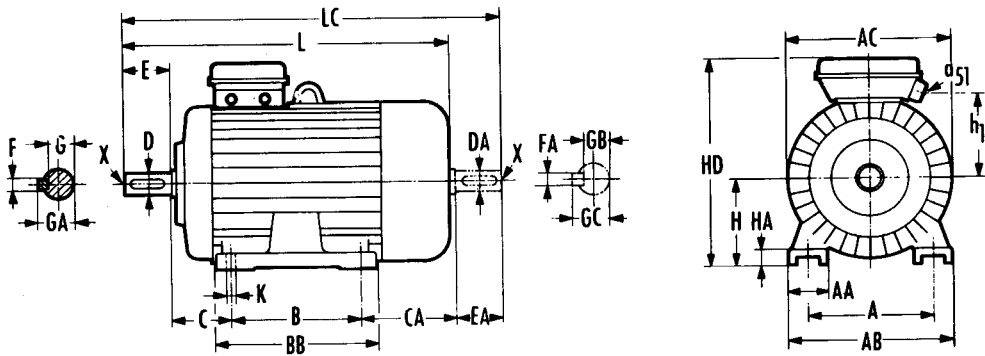
(1) 3000 RPM motors
(2) 1500, 1000 and 750 RPM motors

* Tolerances ISO: 38, 42 and 48 k 6 $\begin{matrix} +0,018 \\ +0,002 \end{matrix}$; 55, and 60 m 6 $\begin{matrix} +0,030 \\ +0,011 \end{matrix}$

TOTALLY ENCLOSED FAN-COOLED THREE-PHASE MOTORS

FOOT MOUNTED MOTORS

IM 1001; 1002; 1051; 1052; 1061; 1062; 1071; 1072; 1011; 1012; 1031; 1032



DIMENSIONS (mm)

MOTOR TYPE	DIMENSIONS (mm)																				SHAFT EXTENSIONS						
	A	AA	AB	AC	B	BB	C	CA	H	HA	HD	h11	K	L	LC	#51	D*	DA*	E	EA	F	FA	G	GA	GB	GC	X
BF4 250M ⁽¹⁾	406	100	506	484	349	406	168	206	250	32	685	261	24	856	1003	TA 42	60	60	140	140	18	18	53	64	53	64	M20
BF4 250M ⁽²⁾	406	100	506	484	349	406	168	206	250	32	685	261	24	856	1003	TA 42	65	60	140	140	18	18	58	69	53	64	M20
BF4 280SA ⁽¹⁾	457	105	537	484	368	438	190	235	280	40	715	261	24	926	1073	TA 42	65	65	140	140	18	18	58	69	58	69	M20
BF4 280SA ⁽²⁾	457	105	537	484	368	438	190	235	280	40	715	261	24	926	1073	TA 42	75	65	140	140	20	18	67.5	79.5	58	69	M20
BF4 280MA ⁽¹⁾	457	105	537	484	419	524	190	271	280	40	715	261	24	1013	1160	TA 42	65	65	140	140	18	18	58	69	58	69	M20
BF4 280MA ⁽²⁾	457	105	537	484	419	524	190	271	280	40	715	261	24	1013	1160	TA 42	75	65	140	140	20	18	67.5	79.5	58	69	M20
BF4 315SA ⁽¹⁾	508	120	628	548	406	526	216	326	315	45	782	293	28	1110	1258	TA 48	80	65	170	140	22	18	71	85	58	69	M20
BF4 315SA ⁽²⁾	508	120	628	548	457	577	216	326	315	45	782	293	28	1131	1279	TA 48	80	65	170	140	22	18	71	85	58	69	M20
BF4 315MA ⁽¹⁾	508	120	628	548	457	577	216	326	315	45	782	293	28	1131	1279	TA 48	80	65	170	140	22	18	71	85	58	69	M20
BF4 315MA ⁽²⁾	508	120	628	548	457	577	216	326	315	45	782	293	28	1161	1309	TA 48	80	65	170	140	22	18	71	85	58	69	M20

⁽¹⁾ 2 poles
⁽²⁾ 4 poles and more

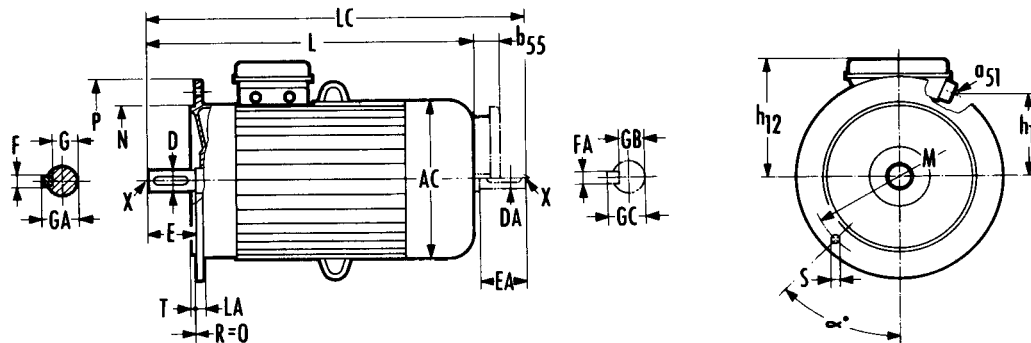
* Tolerances ISO: 60, 65, 75 and 80 m 6 (+0,030 / +0,011)

FLANGE MOUNTED MOTORS

FREE-GOING FIXING HOLES

IM 3011; 3012; 3031; 3032 (BF4 250 to BF4 315)

IM 3001; 3002 (motors BF4 250, and to express request to BF4 280 and BF4 315 motors)



DIMENSIONS (mm)

MOTORS TYPE	FLANGE DIMENSIONS										MAIN DIMENSIONS						SHAFT EXTENSIONS												
	Form	IEC	M	N	P	LA	T	α	No. holes	S	AC	h11	h12	L	LC	b55	#51	D*	DA*	E	EA	F	FA	G	GA	GB	GC	X	
BF4 250M ⁽¹⁾	30	—	F500	500	450	550	21	5	22° 30'	8	19	484	261	435	856	1003	60	TA 42	60	60	140	140	18	18	53	64	53	64	M20
BF4 250M ⁽²⁾	30	—	F500	500	450	550	21	5	22° 30'	8	19	484	261	435	856	1003	60	TA 42	65	60	140	140	18	18	58	69	53	64	M20
BF4 280SA ⁽¹⁾	30	—	F500	500	450	550	21	5	22° 30'	8	19	484	261	435	926	1073	60	TA 42	65	65	140	140	18	18	58	69	58	69	M20
BF4 280SA ⁽²⁾	30	—	F500	500	450	550	21	5	22° 30'	8	19	484	261	435	926	1073	60	TA 42	75	65	140	140	20	18	67.5	79.5	58	69	M20
BF4 280MA ⁽¹⁾	30	—	F500	500	450	550	21	5	22° 30'	8	19	484	261	435	1013	1160	60	TA 42	65	65	140	140	18	18	58	69	58	69	M20
BF4 280MA ⁽²⁾	30	—	F500	500	450	550	21	5	22° 30'	8	19	484	261	435	1013	1160	60	TA 42	75	65	140	140	20	18	67.5	79.5	58	69	M20
BF4 315SA ⁽¹⁾	30	—	F600	600	550	660	25	6	22° 30'	8	24	548	293	467	1080	1228	70	TA 48	80	65	170	140	18	18	58	69	58	69	M20
BF4 315SA ⁽²⁾	30	—	F600	600	550	660	25	6	22° 30'	8	24	548	293	467	1110	1258	70	TA 48	80	65	170	140	22	18	71	85	58	69	M20
BF4 315MA ⁽¹⁾	30	—	F600	600	550	660	25	6	22° 30'	8	24	548	293	467	1131	1279	70	TA 48	80	65	170	140	18	18	58	69	58	69	M20
BF4 315MA ⁽²⁾	30	—	F600	600	550	660	25	6	22° 30'	8	24	548	293	467	1161	1309	70	TA 48	80	65	170	140	22	18	71	85	58	69	M20

⁽¹⁾ 2 poles
⁽²⁾ 4 poles and more

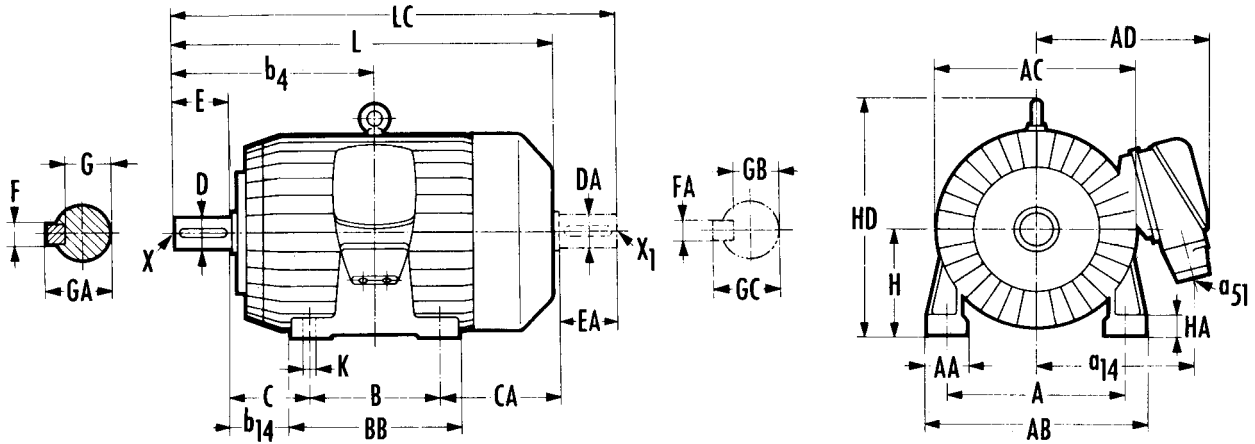
* Tolerances ISO: 60, 65, 75 and 80 m 6 (+0,030 / +0,011)

TOTALLY ENCLOSED FAN-COOLED THREE-PHASE MOTORS

DIMENSIONS

FOOT MOUNTED MOTORS

IM 1001; 1002



DIMENSIONS (mm)

MOTOR TYPE	DIMENSIONS (mm)																	SHAFT EXTENSIONS													
	A	AA	AB	AC	AD	a14	B	BB	b4	b14	C	CA	H	HA	HD	K	L	LC	a51	D*	DA*	E	EA	F	FA	G	GA	GB	GC	X	X1
BF3 315MA ⁽¹⁾	508	130	632	632	548	474	457	573	584.5	158	216	334	315	43	750	28	1142	1287	TA 48	70	70	140	140	20	20	62.5	74.5	62.5	74.5	M20	M20
BF3 315M ⁽²⁾ (³)	508	130	632	632	548	474	457	573	614.5	158	216	334	315	43	750	28	1172	1317	TA 48	90	70	170	140	25	20	81	95	62.5	74.5	M24	M20
BF3 355MA ⁽¹⁾	610	145	730	717	598	535	560	800	670	130	254	441	355	49	713.5	28	1390	1535	TA 48	70	70	140	140	20	20	62.5	74.5	62.5	74.5	M20	M20
BF3 280SA ⁽²⁾	610	145	730	717	598	535	560	800	700	130	254	441	355	49	713.5	28	1420	1595	TA 48	95	95	170	170	25	25	86	100	86	100	M24	M24
BF3 400LA ⁽¹⁾	686	150	810	804	639	580	710	850	763	198	280	505	400	55	802	35	1630	1775	TA 48	70	70	140	140	20	20	62.5	74.5	62.5	74.5	M20	M20
BF3 400LA ⁽²⁾	686	150	810	804	639	580	710	850	833	198	280	505	400	55	802	35	1700	1915	TA 48	110	110	210	210	28	28	100	116	100	116	M24	M24

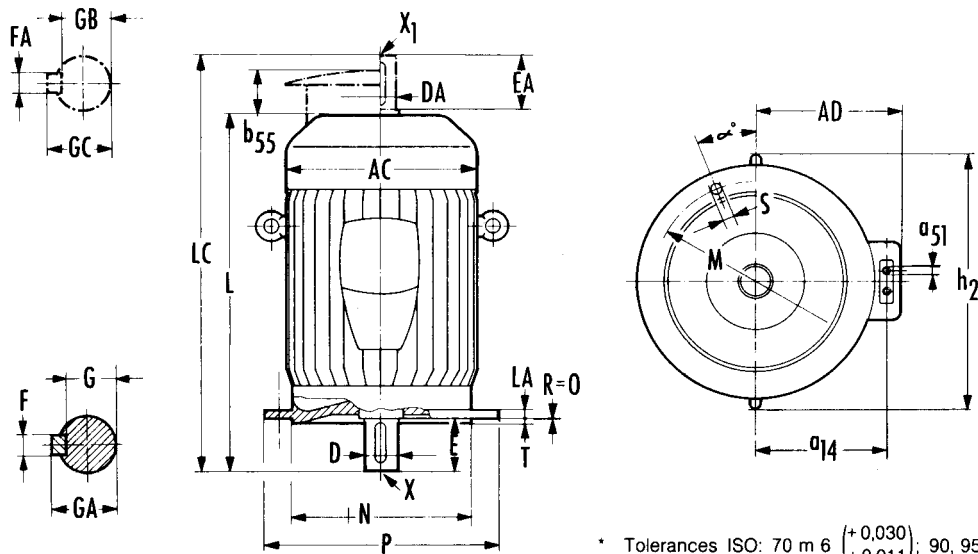
(¹) 2 poles: direct coupling
 (²) 4 poles and more: direct coupling
 (³) 4 poles and more: belt drive

* Tolerances ISO: 70 m 6 (+0,030 / +0,011); 90, 95 and 110 m 6 (+0,035 / +0,013)

FLANGE MOUNTED MOTORS

FREE-GOING FIXING HOLES

IM 3011



DIMENSIONS (mm)

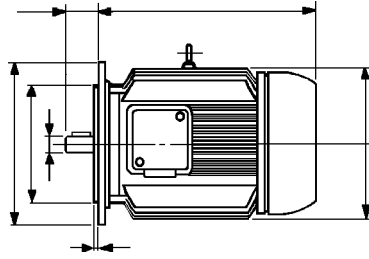
MOTOR TYPE	FLANGE DIMENSIONS							MAIN DIMENSIONS							SHAFT EXTENSIONS														
	IEC	M	N	P	LA	T	α	No. holes	S	AC	AD	a14	h2	L	LC	b55	a51	D*	DA*	E	EA	F	FA	G	GA	GB	GC	X	X1
BF3 315MA ⁽¹⁾	F600	600	550	660	22	6	22° 30'	8	24	632	548	410	890	1142	1287	118	TA 48	70	70	140	140	20	20	62.5	74.5	62.5	74.5	M20	M20
BF3 315MA ⁽²⁾ (³)	F600	600	550	660	22	6	22° 30'	8	24	632	548	410	890	1172	1317	116.5	TA 48	90	70	170	140	25	20	81	95	62.5	74.5	M24	M20
BF3 355MA ⁽¹⁾	F740	740	680	800	25	6	22° 30'	8	24	717	598	456	928	1390	1535	124.5	TA 48	70	70	140	140	20	20	62.5	74.5	62.5	74.5	M20	M20
BF3 355MA ⁽²⁾	F740	740	680	800	25	6	22° 30'	8	24	717	598	456	928	1420	1595	124.5	TA 48	95	95	170	170	25	25	86	100	86	100	M24	M24
BF3 400LA ⁽¹⁾	F940	940	880	1000	28	6	22° 30'	8	28	804	639	500	1010	1630	1775	131.5	TA 48	70	70	140	140	20	20	62.5	74.5	62.5	74.5	M20	M20
BF3 400LA ⁽²⁾	F940	940	880	1000	28	6	22° 30'	8	28	804	639	500	1010	1700	1915	131.5	TA 48	100	100	210	210	28	28	100	116	100	116	M24	M24

* Tolerances ISO: 70 m 6 (+0,030 / +0,011); 90, 95 and 110 m 6 (+0,035 / +0,013)

DISC BRAKE MOTOR METRIC IEC STANDARD

60Hz* 3600RPM 2 Pole
250-280 or 440-480V

50Hz* 3000RPM 2 Pole
220-240V or 380-415V



60Hz* 1800RPM 4 Pole
250-280 or 440-480V

50Hz* 1500RPM 4 Pole
220-240V or 380-415V

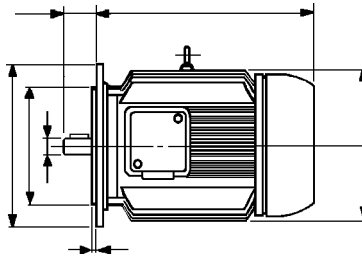
Part Number	Type Mount	kW	HP	Part Number	Type Mount	kW	HP
BFF5 71M42	FOOT	0.37	0.50	BFF5 71M44	FOOT	0.18	0.24
BFF5 71M42	FOOT	0.55	0.74	BFF5 71M44	FOOT	0.25	0.34
BFF5 71M42	FLANGE	0.37	0.50	BFF5 71M44	FOOT	0.37	0.50
BFF5 71M42	FLANGE	0.55	0.74	BFF5 71M44	FLANGE	0.18	0.24
BFF5 80M42	FOOT	0.75	1.01	BFF5 71M44	FLANGE	0.25	0.34
BFF5 80M42	FOOT	1.1	1.47	BFF5 71M44	FLANGE	0.37	0.50
BFF5 80M42	FLANGE	0.75	1.01	BFF5 80M44	FOOT	0.55	0.74
BFF5 80M42	FLANGE	1.1	1.47	BFF5 80M44	FOOT	0.75	1.01
BFF5 90S22	FOOT	1.5	2.01	BFF5 80M44	FLANGE	0.55	0.74
BFF5 90L42	FOOT	2.2	2.95	BFF5 80M44	FLANGE	0.75	1.01
BFF5 90S22	FLANGE	1.5	2.01	BFF5 90S24	FOOT	1.1	1.47
BFF5 90L42	FLANGE	2.2	2.95	BFF5 90L44	FOOT	1.5	2.01
BFF5 100L42	FOOT	3	4.02	BFF5 90S24	FLANGE	1.1	1.47
BFF5 100L42	FLANGE	3	4.02	BFF5 90L44	FLANGE	1.5	2.01
BFF5 112M22	FOOT	4	5.36	BFF5 100L24	FOOT	2.2	2.95
BFF5 112M22	FLANGE	4	5.36	BFF5 100L44	FOOT	3	4.02
BFF5 132S42	FOOT	5.5	7.37	BFF5 100L24	FLANGE	2.2	2.95
BFF5 132S62	FOOT	7.5	10.05	BFF5 100L44	FLANGE	3	4.02
BFF5 132S42	FLANGE	5.5	7.37	BFF5 112M44	FOOT	4	5.36
BFF5 132S62	FLANGE	7.5	10.05	BFF5 112M44	FLANGE	4	5.36
BFF5 160M22	FOOT	11	14.75	BFF5 132S44	FOOT	5.5	7.37
BFF5 160M42	FOOT	15	20.11	BFF5 132M84	FOOT	7.5	10.05
BFF5 160L62	FOOT	18.5	24.80	BFF5 132S44	FLANGE	5.5	7.37
BFF5 160M22	FLANGE	11	14.75	BFF5 132M84	FLANGE	7.5	10.05
BFF5 160M42	FLANGE	15	20.11	BFF5 160M44	FOOT	11	14.75
BFF5 160L62	FLANGE	18.5	24.80	BFF5 160L64	FOOT	15	20.11
				BFF5 160M44	FLANGE	11	14.75
				BFF5 160L64	FLANGE	15	20.11

* All Ametric® Motors are designed to operate domestically at 60Hz and for export at 50Hz (with a corresponding change in voltage and RPMs) and are available with either foot or flange mountings. For outputs lower than 3 kw Δ terminals = 220-240V/250-280V 50/60Hz & Y terminals = 380-415V/440-480V 50/60Hz. For outputs greater than 3 kw only Δ terminals available at 380-415V/440-480V 50/60Hz. (voltage variation -5% +6%)

DISC BRAKE MOTOR METRIC IEC STANDARD

60Hz* 1200RPM 6 Pole
250-280 or 440-480V

50Hz* 1000RPM 6 Pole
220-240V or 380-415V



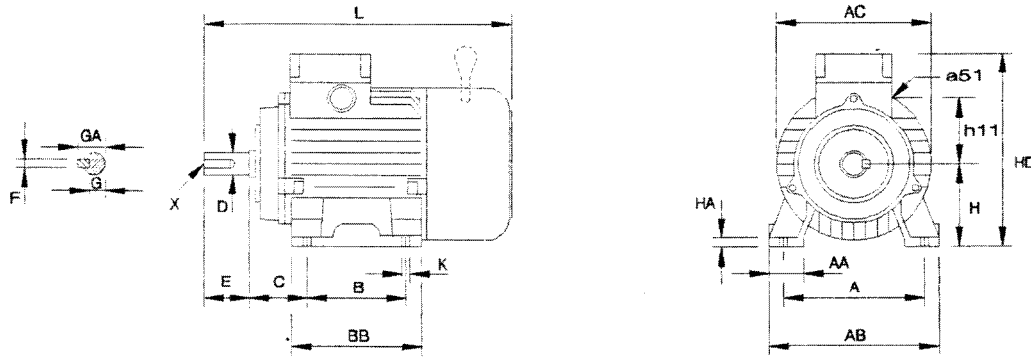
60Hz* 900RPM 8 Pole
250-280 or 440-480V

50Hz* 750RPM 8 Pole
220-240V or 380-415V

Part Number	Type Mount	kW	HP	Part Number	Type Mount	kW	HP
BFF5 71M46	FOOT	0.12	0.16	BFF5 71M48	FOOT	0.09	0.12
BFF5 71M46	FOOT	0.185	0.25	BFF5 71M48	FOOT	0.12	0.16
BFF5 71M46	FOOT	0.25	0.34	BFF5 71M48	FLANGE	0.09	0.12
BFF5 71M46	FLANGE	0.12	0.16	BFF5 71M48	FLANGE	0.12	0.16
BFF5 71M46	FLANGE	0.185	0.25				
BFF5 71M46	FLANGE	0.25	0.34	BFF5 80M48	FOOT	0.185	0.25
BFF5 80M46	FOOT	0.37	0.50	BFF5 80M68	FOOT	0.25	0.34
BFF5 80M66	FOOT	0.55	0.74	BFF5 80M48	FLANGE	0.185	0.25
BFF5 80M46	FLANGE	0.37	0.50	BFF5 80M68	FLANGE	0.25	0.34
BFF5 80M66	FLANGE	0.55	0.74				
BFF5 90S26	FOOT	0.75	1.01	BFF5 90S28	FOOT	0.37	0.50
BFF5 90L66	FOOT	1.1	1.47	BFF5 90L68	FOOT	0.55	0.74
BFF5 90S26	FLANGE	0.75	1.01	BFF5 90S28	FLANGE	0.37	0.50
BFF5 90L66	FLANGE	1.1	1.47	BFF5 90L68	FLANGE	0.55	0.74
BFF5 100L46	FOOT	1.5	2.01	BFF5 100L48	FOOT	0.75	1.01
BFF5 100L46	FLANGE	1.5	2.01	BFF5 100L48	FOOT	1.1	1.47
				BFF5 100L48	FLANGE	0.75	1.01
				BFF5 100L48	FLANGE	1.1	1.47
BFF5 112M46	FOOT	2.2	2.95	BFF5 112M48	FOOT	1.5	2.01
BFF5 112M46	FLANGE	2.2	2.95	BFF5 112M48	FLANGE	1.5	2.01
BFF5 132S86	FOOT	3	4.02	BFF5 132S88	FOOT	2.2	2.95
BFF5 132M86	FOOT	4	5.36	BFF5 132M88	FOOT	3	4.02
BFF5 132M86	FOOT	5.5	7.37	BFF5 132S88	FLANGE	2.2	2.95
BFF5 132S86	FLANGE	3	4.02	BFF5 132M88	FLANGE	3	4.02
BFF5 132M86	FLANGE	4	5.36				
BFF5 132M86	FLANGE	5.5	7.37	BFF5 160M68	FOOT	4	5.36
BFF5 160M66	FOOT	7.5	10.05	BFF5 160M68	FOOT	5.5	7.37
BFF5 160L66	FOOT	11	14.75	BFF5 160L68	FOOT	7.5	10.05
BFF5 160M66	FLANGE	7.5	10.05	BFF5 160M68	FLANGE	4	5.36
BFF5 160L66	FLANGE	11	14.75	BFF5 160M68	FLANGE	5.5	7.37
				BFF5 160L68	FLANGE	7.5	10.05

* All Ametric® Motors are designed to operate domestically at 60Hz and for export at 50Hz (with a corresponding change in voltage and RPMs) and are available with either foot or flange mountings. For outputs lower than 3 kw Δ terminals = 220-240V/250-280V 50/60Hz & Y terminals = 380-415V/440-480V 50/60Hz. For outputs greater than 3 kw only Δ terminals available at 380-415V/440-480V 50/60Hz. (voltage variation -5% +6%)

DISC BRAKE MOTOR

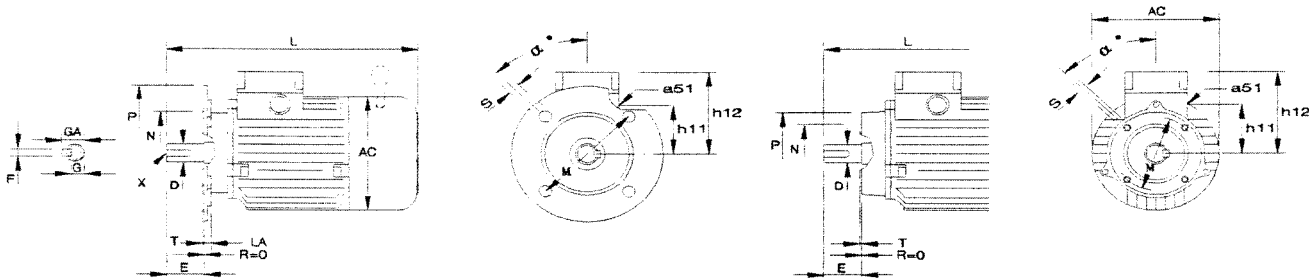


FOOT-MOUNTED MOTORS IM1001; 1051; 1061; 1071; 1011; 1031

Type	Dimensions (mm)																				
														Shaft End				a51			
	A	AA	AB	AC	B	BB	C	H	HA	HD	h11	K	L	D	E	F	G	GA	X	Bore	Air-Gap
BFF5 71M	112	25	132	140	90	110	45	71	8	177	63	7	271	14	30	5	11	16	M4x10	22.5	0.2
BFF5 80M	125	27.5	150	157	100	120	50	80	9.5	192.5	68.5	10	304	19	40	6	15.5	21.5	M6x16	22.5	0.2
BFF5 90S	140	30	171	180	100	127	56	90	10	210	78.5	10	330	24	50	8	20	27	M8x19	22.5	0.2
BFF5 90L	140	30	171	180	125	152	56	90	10	210	78.5	10	355	24	50	8	20	27	M8x19	22.5	0.2
BFF5 100L	160	35	195	204	140	175	63	100	12	235.5	90.5	12	403	28	60	8	24	31	M10x22	28.5	0.2

FREEHOLES IM 3001; 2011; 3031

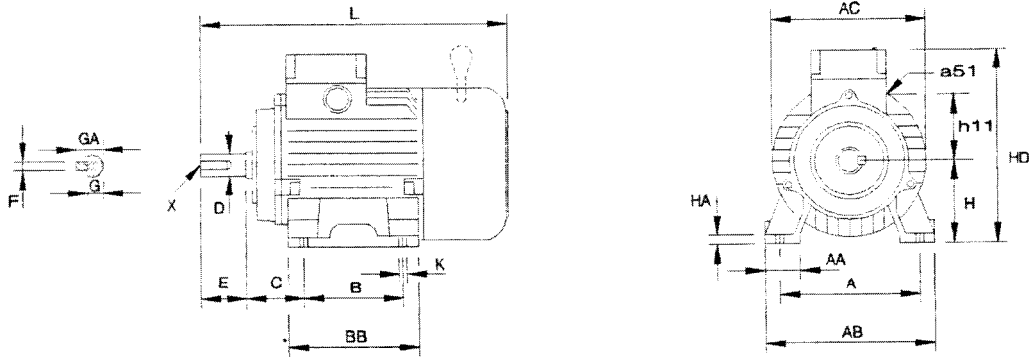
THREADED HOLES IM 3601; 3611; 3631



FLANGE-MOUNTED MOTORS

Type	Dimensions (mm)																				
														Shaft End				a51			
	IM	IEC	M	N	P	LA	T	α	S	AC	h11	h12	L	D	E	F	G	GA	X	Bore	Air-Gap
BFF5 71M	30	F130	130	110	160	8	3.5	45°	10	140	63	106	271	14	30	5	11	16	M14x0	22.5	0.2
	36	F85	85	70	105	--	2.5	45°	M6	140	63	106	271	14	30	5	11	16	M4x10	22.5	0.2
BFF5 80M	30	F165	165	130	200	8	3.5	45°	12	157	68.5	112.5	304	19	40	6	15.5	21.5	M6x16	22.5	0.2
	36	F100	100	80	120	--	3	45°	M6	157	68.5	112.5	304	19	40	6	15.5	21.5	M6x16	22.5	0.2
BFF5 90S	30	F165	165	130	200	10	3.5	45°	12	180	78.5	120	330	24	50	8	20	27	M8x19	22.5	0.2
	36	F115	115	95	140	--	3	45°	M8	180	78.5	120	330	24	50	8	20	27	M8x19	22.5	0.2
BFF5 90L	30	F165	165	130	200	10	3.5	45°	12	180	78.5	120	355	24	50	8	20	27	M8x19	22.5	0.2
	36	F115	115	95	140	--	3	45°	M8	180	78.5	120	355	24	50	8	20	27	Mx19	22.5	0.2
BFF5 100L	30	F215	215	180	250	12	4	45°	14.5	204	90.5	135.5	403	28	60	8	24	31	M10x22	28.5	0.2
	36	F130	130	110	160	--	3.5	45°	M8	204	90.5	135.5	403	28	60	8	24	31	M10x22	28.5	0.2

DISC BRAKE MOTOR

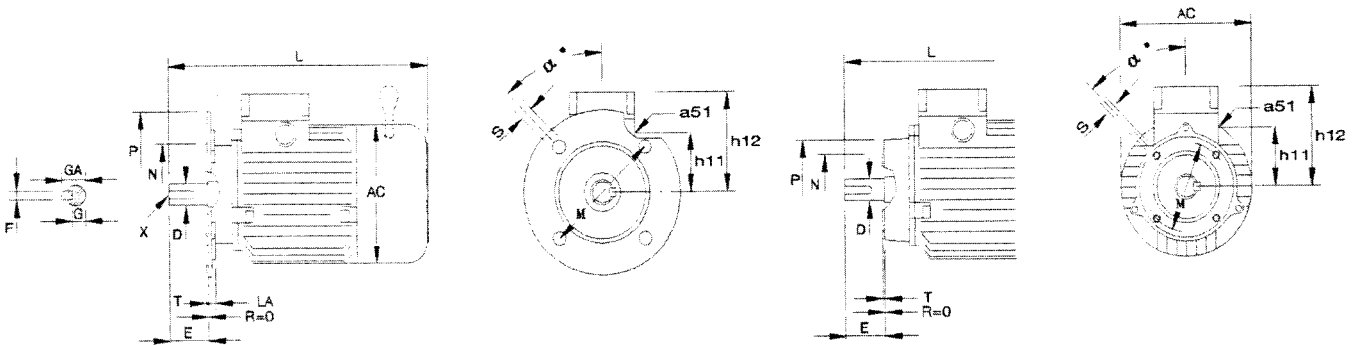


FOOT-MOUNTED MOTORS IM1001; 1051; 1061; 1071; 1011; 1031

Type	Dimensions (mm)																				
															Shaft End					a51	
	A	AA	AB	AC	B	BB	C	H	HA	HD	h11	K	L	D	E	F	G	GA	X	Bore	Air-Gap
BFF5 112M	190	40	220	218	140	175	70	112	12	257.5	88	12	493	28	60	8	24	31	M10x22	2x28.5	0.4
BFF5 132S	216	52	260	254	140	218	89	132	16	295	103	12	569	38	80	10	33	41	M12x28	2x28.5	0.5
BFF5 132M	216	52	260	254	178	218	89	132	16	295	103	12	569	38	80	10	33	41	M12x28	2x28.5	0.5
BFF5 160M	254	60	300	303	210	300	108	160	18	356	120	15	711	42	110	12	37	45	M16x36	2x37	0.5
BFF5 160L	254	60	300	303	254	300	108	160	18	356	120	15	711	42	110	12	37	45	M16x36	2x37	0.5

FREEHOLES IM 3001; 2011; 3031

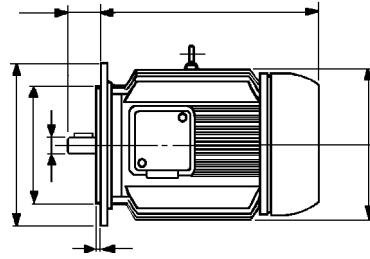
THREADED HOLES IM 3601; 3611; 3631



FLANGE-MOUNTED MOTORS

Type	Dimensions (mm)																				
															Shaft End					a51	
	IM	IEC	M	N	P	LA	T	α	S	AC	h11	h12	L	D	E	F	G	GA	X	Bore	Air-Gap
BFF5 112M	30	F215	215	180	250	12	4	45°	14.5	218	88	145.5	493	28	60	8	24	31	M10x22	2x28.5	0.2
	36	F130	130	110	160	--	3.5	45°	M8	218	88	145.5	493	28	60	8	24	31	M10x22	2x28.5	0.2
BFF5 132S/M	30	F265	265	230	300	12	4	45°	14.5	254	103	163	569	38	80	10	33	41	M12x28	2x28.5	0.2
	36	F165	165	130	195	--	3.5	45°	M10	254	103	163	569	38	80	10	33	41	M12x28	2x28.5	0.2
BFF5 160M/L	30	F300	300	250	350	13	5	45°	18.5	303	120	196	711	42	110	12	37	45	M16x36	2x37	0.2

EXPLOSION PROOF MOTOR METRIC IEC STANDARD



60Hz* 3600RPM 2 Pole
250-280 or 440-480V

50Hz* 3000RPM 2 Pole
220-240V or 380-415V

Part Number	Type Mount	kW	HP	Weight kg	Part Number	Type Mount	kW	HP	Weight kg
BFGC3 90 S32	foot	0.55	0.74	30	BFGC3 90 S32	flange	0.55	0.74	30
BFGC3 90 S32	foot	0.75	1.01	30	BFGC3 90 S32	flange	0.75	1.01	30
BFGC3 90 S32	foot	1.10	1.47	30	BFGC3 90 S32	flange	1.10	1.47	30
BFGC3 90 S32	foot	1.50	2.01	30	BFGC3 90 S32	flange	1.50	2.01	30
BFGC3 90 L52	foot	2.20	2.95	40	BFGC3 90 L52	flange	2.20	2.95	40
BFGC3 100 L22A	foot	3.00	4.02	50	BFGC3 100 L22A	flange	3.00	4.02	50
BFGC3 112 M22	foot	4.00	5.36	65	BFGC3 112 M22	flange	4.00	5.36	65
BFGC3 132 S22	foot	5.50	7.37	85	BFGC3 132 S22	flange	5.50	7.37	85
BFGC3 132 S42	foot	7.50	10.05	90	BFGC3 132 S42	flange	7.50	10.05	90
BFGC3 160 M22	foot	11.00	14.75	120	BFGC3 160 M22	flange	11.00	14.75	120
BFGC3 160 M42	foot	15.00	20.11	135	BFGC3 160 M42	flange	15.00	20.11	135
BFGC3 160 L62	foot	18.50	24.80	160	BFGC3 160 L62	flange	18.50	24.80	160
BFGC3 180 M42	foot	22.00	29.49	205	BFGC3 180 M42	flange	22.00	29.49	205
BFGC3 200 L22	foot	30.00	40.21	275	BFGC3 200 L22	flange	30.00	40.21	275
BFGC3 200 L42	foot	37.00	49.60	290	BFGC3 200 L42	flange	37.00	49.60	290
BFGC4 225 M42	foot	45.00	60.32	350	BFGC4 225 M42	flange	45.00	60.32	350
BFGC4 250 M42	foot	55.00	73.73	450	BFGC4 250 M42	flange	55.00	73.73	450
BFGC4 280 SA42	foot	75.00	100.54	575	BFGC4 280 SA42	flange	75.00	100.54	575
BFGC4 280 MA62	foot	90.00	120.64	620	BFGC4 280 MA62	flange	90.00	120.64	620
BFGC4 315 SA42	foot	110.00	147.45	810	BFGC4 315 SA42	flange	110.00	147.45	810
BFGC4 315 MA62	foot	132.00	176.94	890	BFGC4 315 MA62	flange	132.00	176.94	890
BFGC3 315 MA62	foot	160.00	214.48	1150	BFGC3 315 MA62	flange	160.00	214.48	1150
BFGC3 315 MA82	foot	200.00	268.10	1250	BFGC3 315 MA82	flange	200.00	268.10	1250
BFGC3 355 MA22	foot	220.00	294.91	1550	BFGC3 355 MA22	flange	220.00	294.91	1550
BFGC3 355 MA42	foot	260.00	348.53	1800	BFGC3 355 MA42	flange	260.00	348.53	1800
BFGC3 355 MA62	foot	290.00	388.74	1875	BFGC3 355 MA62	flange	290.00	388.74	1875
BFGC3 355 MA82	foot	330.00	442.36	1950	BFGC3 355 MA82	flange	330.00	442.36	1950
BFGC3 400 LA42	foot	370.00	495.98	2650	BFGC3 400 LA42	flange	370.00	495.98	2650
BFGC3 400 LA62	foot	400.00	536.19	2800	BFGC3 400 LA62	flange	400.00	536.19	2800
BFGC3 400 LA82	foot	440.00	589.81	2900	BFGC3 400 LA82	flange	440.00	589.81	2900

* All Ametric® Motors are designed to operate domestically at 60Hz and for export at 50Hz (with a corresponding change in voltage and RPMs) and are available with either foot or flange mountings. For outputs lower than 3 kw Δ terminals = 220-240V/250-280V 50/60Hz & Y terminals = 380-415V/440-480V 50/60Hz. For outputs greater than 3 kw only Δ terminals available at 380-415V/440-480V 50/60Hz. (voltage variation -5% +6%)

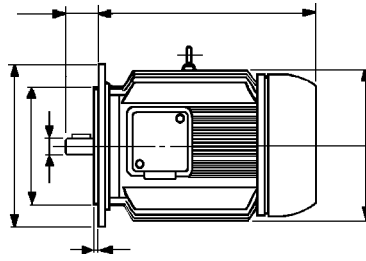
Flame-Proof Standards

All Ametric® BFGC Motors satisfy EN 50014, 50018 European standards for the IIC group of gases in the T4 temperature range. They are fitted with EEx d IIC flameproof terminal boxes.

96 American Metric® Corporation

G = B5 Flange unless otherwise specified.

EXPLOSION PROOF MOTOR METRIC IEC STANDARD



60Hz* 1800RPM 4 Pole
250-280 or 440-480V

50Hz* 1500RPM 4 Pole
220-240V or 380-415V

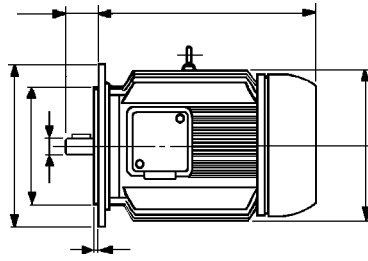
Part Number	Type Mount	kW	HP	Weight kg	Part Number	Type Mount	kW	HP	Weight kg
BFGC3 90 S34	foot	0.37	0.50	30	BFGC3 90 S34	flange	0.37	0.50	30
BFGC3 90 S34	foot	0.55	0.74	30	BFGC3 90 S34	flange	0.55	0.74	30
BFGC3 90 S34	foot	0.75	1.01	30	BFGC3 90 S34	flange	0.75	1.01	30
BFGC3 90 S34	foot	1.10	1.47	30	BFGC3 90 S34	flange	1.10	1.47	30
BFGC3 90 L44A	foot	1.50	2.01	35	BFGC3 90 L44A	flange	1.50	2.01	35
BFGC3 100 L34A	foot	2.20	2.95	45	BFGC3 100 L34A	flange	2.20	2.95	45
BFGC3 100 L54A	foot	3.00	4.02	50	BFGC3 100 L54A	flange	3.00	4.02	50
BFGC3 112 M44	foot	4.00	5.36	60	BFGC3 112 M44	flange	4.00	5.36	60
BFGC3 132 S44	foot	5.50	7.37	85	BFGC3 132 S44	flange	5.50	7.37	85
BFGC3 132 M44	foot	7.50	10.05	85	BFGC3 132 M44	flange	7.50	10.05	85
BFGC3 160 M44	foot	11.00	14.75	140	BFGC3 160 M44	flange	11.00	14.75	140
BFGC3 160 L64	foot	15.00	20.11	160	BFGC3 160 L64	flange	15.00	20.11	160
BFGC3 180 M44	foot	18.50	24.80	210	BFGC3 180 M44	flange	18.50	24.80	210
BFGC3 180 L64	foot	22.00	29.49	230	BFGC3 180 L64	flange	22.00	29.49	230
BFGC3 200 L44	foot	30.00	40.21	290	BFGC3 200 L44	flange	30.00	40.21	290
BFGC3 225 S24	foot	37.00	49.60	315	BFGC3 225 S24	flange	37.00	49.60	315
BFGC3 225 M44	foot	45.00	60.32	340	BFGC3 225 M44	flange	45.00	60.32	340
BFGC4 250 M44	foot	55.00	73.73	465	BFGC4 250 M44	flange	55.00	73.73	465
BFGC4 280 SA44	foot	75.00	100.54	600	BFGC4 280 SA44	flange	75.00	100.54	600
BFGC4 280 MA84	foot	90.00	120.64	650	BFGC4 280 MA84	flange	90.00	120.64	650
BFGC4 315 SA44	foot	110.00	147.45	815	BFGC4 315 SA44	flange	110.00	147.45	815
BFGC4 315 MA64	foot	132.00	176.94	895	BFGC4 315 MA64	flange	132.00	176.94	895
BFGC3 315 MA64	foot	160.00	214.48	1250	BFGC3 315 MA64	flange	160.00	214.48	1250
BFGC3 315 MA84	foot	200.00	268.10	1350	BFGC3 315 MA84	flange	200.00	268.10	1350
BFGC3 355 MA24	foot	220.00	294.91	1950	BFGC3 355 MA24	flange	220.00	294.91	1950
BFGC3 355 MA44	foot	260.00	348.53	2075	BFGC3 355 MA44	flange	260.00	348.53	2075
BFGC3 355 MA64	foot	290.00	388.74	2200	BFGC3 355 MA64	flange	290.00	388.74	2200
BFGC3 355 MA84	foot	315.00	422.25	2250	BFGC3 355 MA84	flange	315.00	422.25	2250
BFGC3 400 LA24	foot	330.00	442.36	2770	BFGC3 400 LA24	flange	330.00	442.36	2770
BFGC3 400 LA44	foot	370.00	495.98	2500	BFGC3 400 LA44	flange	370.00	495.98	2500
BFGC3 400 LA64	foot	400.00	536.19	3025	BFGC3 400 LA64	flange	400.00	536.19	3025
BFGC3 400 LA84	foot	440.00	589.81	3200	BFGC3 400 LA84	flange	440.00	589.81	3200

* All Ametric® Motors are designed to operate domestically at 60Hz and for export at 50Hz (with a corresponding change in voltage and RPMs) and are available with either foot or flange mountings. For outputs lower than 3 kw Δ terminals = 220-240V/250-280V 50/60Hz & Y terminals = 380-415V/440-480V 50/60Hz. For outputs greater than 3 kw only Δ terminals available at 380-415V/440-480V 50/60Hz. (voltage variation -5% +6%)

Flame-Proof Standards

All Ametric® BFGC Motors satisfy EN 50014, 50018 European standards for the IIC group of gases in the T4 temperature range. They are fitted with EEx d IIC flameproof terminal boxes.

EXPLOSION PROOF MOTOR METRIC IEC STANDARD



60Hz* 1200RPM 6 Pole
250-280 or 440-480V

50Hz* 1000RPM 6 Pole
220-240V or 380-415V

Part Number	Type Mount	kW	HP	Weight kg	Part Number	Type Mount	kW	HP	Weight kg
BFGC3 90 S36A	foot	0.37	0.50	30	BFGC3 90 S36A	flange	0.37	0.50	30
BFGC3 90 S36A	foot	0.55	0.74	30	BFGC3 90 S36A	flange	0.55	0.74	30
BFGC3 90 S36A	foot	0.75	1.01	30	BFGC3 90 S36A	flange	0.75	1.01	30
BFGC3 90 L66	foot	1.10	1.47	45	BFGC3 90 L66	flange	1.10	1.47	45
BFGC3 100 L16A	foot	1.50	2.01	50	BFGC3 100 L16A	flange	1.50	2.01	50
BFGC3 112 M46	foot	2.20	2.95	60	BFGC3 112 M46	flange	2.20	2.95	60
BFGC3 132 S26	foot	3.00	4.02	80	BFGC3 132 S26	flange	3.00	4.02	80
BFGC3 132 M46	foot	4.00	5.36	90	BFGC3 132 M46	flange	4.00	5.36	90
BFGC3 132 M86	foot	5.50	7.37	110	BFGC3 132 M86	flange	5.50	7.37	110
BFGC3 160 M40	foot	7.50	10.05	140	BFGC3 160 M40	flange	7.50	10.05	140
BFGC3 160 L86	foot	11.00	14.75	165	BFGC3 160 L86	flange	11.00	14.75	165
BFGC3 180 L46	foot	15.00	20.11	200	BFGC3 180 L46	flange	15.00	20.11	200
BFGC3 200 L26	foot	18.50	24.80	260	BFGC3 200 L26	flange	18.50	24.80	260
BFGC3 200 L46	foot	22.00	29.49	310	BFGC3 200 L46	flange	22.00	29.49	310
BFGC4 225 M46	foot	30.00	40.21	390	BFGC4 225 M46	flange	30.00	40.21	390
BFGC4 250 M26	foot	37.00	49.60	450	BFGC4 250 M26	flange	37.00	49.60	450
BFGC4 280 SA26	foot	45.00	60.32	610	BFGC4 280 SA26	flange	45.00	60.32	610
BFGC4 280 MA46	foot	55.00	73.73	650	BFGC4 280 MA46	flange	55.00	73.73	650
BFGC4 315 SA46	foot	75.00	100.54	740	BFGC4 315 SA46	flange	75.00	100.54	740
BFGC4 315 MA66	foot	90.00	120.64	836	BFGC4 315 MA66	flange	90.00	120.64	836
BFGC3 315 MA66	foot	110.00	147.45	1125	BFGC3 315 MA66	flange	110.00	147.45	1125
BFGC3 315 MA86	foot	132.00	176.94	1225	BFGC3 315 MA86	flange	132.00	176.94	1225
BFGC3 315 MA106	foot	160.00	214.48	1350	BFGC3 315 MA106	flange	160.00	214.48	1350
BFGC3 355 MA66	foot	200.00	268.10	2025	BFGC3 355 MA66	flange	200.00	268.10	2025
BFGC3 355 MA86	foot	250.00	335.12	2150	BFGC3 355 MA86	flange	250.00	335.12	2150
BFGC3 400 LA66	foot	290.00	388.74	3025	BFGC3 400 LA66	flange	290.00	388.74	3025
BFGC3 400 LA86	foot	330.00	442.36	3175	BFGC3 400 LA86	flange	330.00	442.36	3175

* All Ametric® Motors are designed to operate domestically at 60Hz and for export at 50Hz (with a corresponding change in voltage and RPMs) and are available with either foot or flange mountings. For outputs lower than 3 kw Δ terminals = 220-240V/250-280V 50/60Hz & Y terminals = 380-415V/440-480V 50/60Hz. For outputs greater than 3 kw only Δ terminals available at 380-415V/440-480V 50/60Hz. (voltage variation -5% +6%)

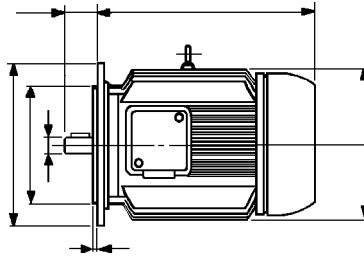
Flame-Proof Standards

All Ametric® BFGC Motors satisfy EN 50014, 50018 European standards for the IIC group of gases in the T4 temperature range. They are fitted with EEx d IIC flameproof terminal boxes.

98 American Metric® Corporation

G = B5 Flange unless otherwise specified.

EXPLOSION PROOF MOTOR METRIC IEC STANDARD



60Hz* 900RPM 8 Pole
250-280 or 440-480V

50Hz* 750RPM 8 Pole
220-240V or 380-415V

Part Number	Type Mount	kW	HP	Weight kg	Part Number	Type Mount	kW	HP	Weight kg
BFGC3 90 S48	foot	0.37	0.50	40	BFGC3 90 S48	flange	0.37	0.50	40
BFGC3 90 L68	foot	0.55	0.74	45	BFGC3 90 L68	flange	0.55	0.74	45
BFGC3 100 L38A	foot	0.75	1.01	50	BFGC3 100 L38A	flange	0.75	1.01	50
BFGC3 100 L58A	foot	1.10	1.47	55	BFGC3 100 L58A	flange	1.10	1.47	55
BFGC3 112 M48	foot	1.50	2.01	60	BFGC3 112 M48	flange	1.50	2.01	60
BFGC3 132 S28	foot	2.20	2.95	80	BFGC3 132 S28	flange	2.20	2.95	80
BFGC3 132 M42	foot	3.00	4.02	92	BFGC3 132 M42	flange	3.00	4.02	92
BFGC3 160 M28	foot	4.00	5.36	135	BFGC3 160 M28	flange	4.00	5.36	135
BFGC3 160 M48	foot	5.50	7.37	140	BFGC3 160 M48	flange	5.50	7.37	140
BFGC3 160 L68	foot	7.50	10.05	165	BFGC3 160 L68	flange	7.50	10.05	165
BFGC3 180 L48	foot	11.00	14.75	200	BFGC3 180 L48	flange	11.00	14.75	200
BFGC3 200 L28	foot	15.00	20.11	260	BFGC3 200 L28	flange	15.00	20.11	260
BFGC3 225 S28	foot	18.50	24.80	350	BFGC3 225 S28	flange	18.50	24.80	350
BFGC3 225 M48	foot	22.00	29.49	400	BFGC3 225 M48	flange	22.00	29.49	400
BFGC4 250 M48	foot	30.00	40.21	450	BFGC4 250 M48	flange	30.00	40.21	450
BFGC4 280 SA48	foot	37.00	49.60	610	BFGC4 280 SA48	flange	37.00	49.60	610
BFGC4 280 MA68	foot	45.00	60.32	630	BFGC4 280 MA68	flange	45.00	60.32	630
BFGC4 315 SA48	foot	55.00	73.73	740	BFGC4 315 SA48	flange	55.00	73.73	740
BFGC4 315 MA68	foot	75.00	100.54	830	BFGC4 315 MA68	flange	75.00	100.54	830
BFGC3 315 MA68	foot	100.00	134.05	1175	BFGC3 315 MA68	flange	100.00	134.05	1175
BFGC3 315 MA88	foot	110.00	147.45	1250	BFGC3 315 MA88	flange	110.00	147.45	1250
BFGC3 315 MA108	foot	132.00	176.94	1300	BFGC3 315 MA108	flange	132.00	176.94	1300
BFGC3 355 MA48	foot	150.00	201.07	2000	BFGC3 355 MA48	flange	150.00	201.07	2000
BFGC3 355 MA68	foot	185.00	247.99	2200	BFGC3 355 MA68	flange	185.00	247.99	2200
BFGC3 355 MA88	foot	220.00	294.91	2400	BFGC3 355 MA88	flange	220.00	294.91	2400
BFGC3 400 LA68	foot	260.00	348.53	3000	BFGC3 400 LA68	flange	260.00	348.53	3000
BFGC3 400 LA88	foot	290.00	388.74	3200	BFGC3 400 LA88	flange	290.00	388.74	3200

* All Ametric® Motors are designed to operate domestically at 60Hz and for export at 50Hz (with a corresponding change in voltage and RPMs) and are available with either foot or flange mountings. For outputs lower than 3 kw Δ terminals = 220-240V/250-280V 50/60Hz & Y terminals = 380-415V/440-480V 50/60Hz. For outputs greater than 3 kw only Δ terminals available at 380-415V/440-480V 50/60Hz. (voltage variation -5% +6%)

Flame-Proof Standards

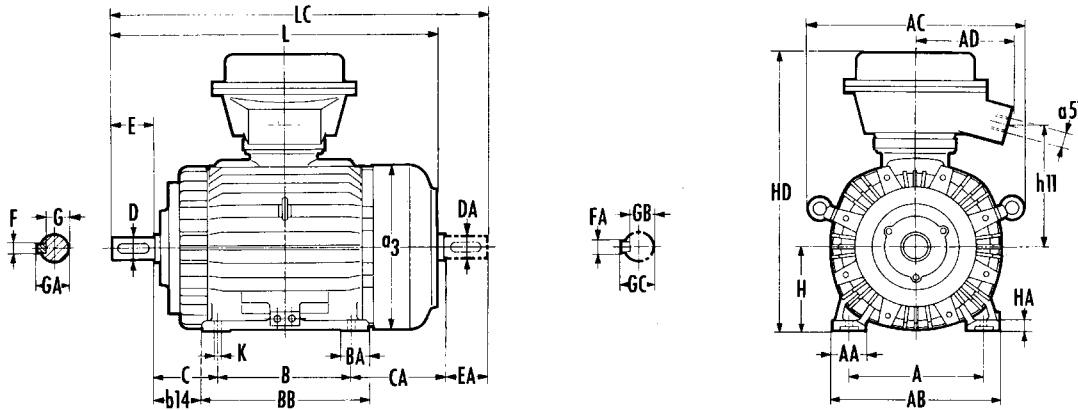
All Ametric® BFGC Motors satisfy EN 50014, 50018 European standards for the IIC group of gases in the T4 temperature range. They are fitted with EEx d IIC flameproof terminal boxes.

FLAME-PROOF TYPE THREE-PHASE MOTORS

SHORT-CIRCUIT ROTOR

LOW VOLTAGE

BFGC3 90 to 225 and BFGC4 250 to 315A Motors



FOOT-MOUNTED MOTORS - IM 1001 Layout

DIMENSIONS (mm)

MOTOR TYPE	DIMENSIONS (mm)																SHAFT EXTENSIONS													
	A	AA	AB	AC	AD	a3	B	BA	BB	b14	C	CA	H	HA	HD	h11	k	L	LC	a51**	SHAFT EXTENSIONS									
																					D*	DA*	E	EA	F	FA	G	GB	GA	GC
BFGC3 90 S	140	40	170	—	143.5	181	100	—	120	46	56	106	90	10	333	156	10	309	362	1 hole	24	24	50	50	8	8	20	20	27	27
BFGC3 90 L	140	40	170	—	143.5	181	125	—	145	46	56	106	90	10	333	156	10	334	387	1 hole	24	24	50	50	8	8	20	20	27	27
BFGC3 100 L	160	45	190	—	143.5	201	140	—	166	50	63	119	100	14	358	171	12	378	442	M20x1.5	28	28	60	60	8	8	24	24	31	31
BFGC3 112 M	190	50	230	—	143.5	224	140	—	190	52	70	150	112	18	379	180	12	415	480	—	28	28	60	60	8	8	24	24	31	31
BFGC3 132 S (1)	216	58	260	363	168	261	140	—	190	64	89	190	132	20	453	213	12	494	579	—	38	38	80	80	10	10	33	33	41	41
BFGC3 132 S (2)	216	58	260	363	168	261	140	—	190	64	89	190	132	20	453	213	12	494	579	—	38	38	80	80	10	10	33	33	41	41
BFGC3 132 M (1)	216	58	260	363	168	261	178	—	228	64	89	190	132	20	453	213	12	532	617	1 hole	38	38	80	80	10	10	33	33	41	41
BFGC3 132 M (2)	216	58	260	363	168	261	178	—	228	64	89	190	132	20	453	213	12	532	617	M25x1.5	38	38	80	80	10	10	33	33	41	41
BFGC3 160 M	254	68	314	412	168	314	210	—	270	78	108	173	160	25	503	235	15	596	681	—	42	38	110	80	12	10	37	33	45	41
BFGC3 160 L	254	68	314	412	168	314	254	—	314	78	108	173	160	25	503	235	15	640	725	—	42	38	110	80	12	10	37	33	45	41
BFGC3 180 M (1)	279	75	354	427	200.5	357	241	—	316	83.5	121	202.5	180	25	587	258	15	669.5	784.5	1 hole	48	42	110	110	14	12	42.5	37	51.5	45
BFGC3 180 M (2)	279	75	354	427	200.5	357	241	—	316	83.5	121	202.5	180	25	587	258	15	669.5	754.5	M32x1.5	48	38	110	80	14	10	42.5	33	51.5	41
BFGC3 180 L (1)	279	75	354	427	200.5	357	279	—	354	83.5	121	202.5	180	25	587	258	15	707.5	822.5	—	48	42	110	110	14	12	42.5	37	51.5	45
BFGC3 200 L	318	80	400	480	200.5	394	305	—	378	96.5	133	213.5	200	30	619	270	19	756.5	871.5	—	55	55	110	110	16	16	49	49	59	59
BFGC3 225 S (1)	356	80	432	480	200.5	394	286	—	378	106.5	149	226.5	225	30	644	270	19	796.5	911.5	1 hole	60	55	140	110	18	16	53	49	64	59
BFGC3 225 M (1)	356	80	432	480	200.5	394	311	—	378	106.5	149	201.5	225	30	644	270	19	796.5	911.5	—	60	55	140	110	18	16	53	49	64	59
BFGC3 225 M (2)	356	80	432	480	200.5	394	311	—	378	106.5	149	201.5	225	30	644	270	19	766.5	881.5	M40x1.5	55	55	110	110	16	16	49	49	59	59
BFGC4 250 M (1)	406	100	506	—	244	484	349	—	406	139.5	168	206	250	32	748	307	24	856	1003	—	65	65	140	140	18	18	58	58	69	69
BFGC4 250 M (2)	406	100	506	—	244	484	349	—	406	139.5	168	206	250	32	748	307	24	856	1003	—	60	60	140	140	18	18	53	53	64	64
BFGC4 280 SA (1)	457	105	537	—	244	484	368	—	438	155	190	235	280	40	778	307	24	926	1073	1 hole	75	65	140	140	20	18	67.5	58	79.5	69
BFGC4 280 SA (2)	457	105	537	—	244	484	368	—	438	155	190	235	280	40	778	307	24	926	1073	—	65	65	140	140	18	18	58	58	69	69
BFGC4 280 MA (1)	457	105	537	—	244	484	419	—	525	155	190	271	280	40	778	307	24	1013	1160	M50x1.5	75	65	140	140	20	18	67.5	58	79.5	69
BFGC4 280 MA (2)	457	105	537	—	244	484	419	—	525	155	190	271	280	40	778	307	24	1013	1160	—	65	65	140	140	18	18	58	58	69	69
BFGC4 315 SA (1)	508	120	628	—	244	549.5	406	120	526	156	216	326	315	45	845	339	28	1110	1258	—	80	65	170	140	22	18	71	58	65	69
BFGC4 315 SA (2)	508	120	628	—	244	549.5	406	120	526	156	216	326	315	45	845	339	28	1080	1228	1 hole	65	65	140	140	18	18	58	58	69	69
BFGC4 315 MA (1)	508	120	628	—	244	549.5	457	120	577	156	216	326	315	45	845	339	28	1161	1039	—	80	65	170	140	22	18	71	58	65	69
BFGC4 315 MA (2)	508	120	628	—	244	549.5	457	120	577	156	216	326	315	45	845	339	28	1131	1279	M63x1.5	65	65	140	140	18	18	58	58	69	69

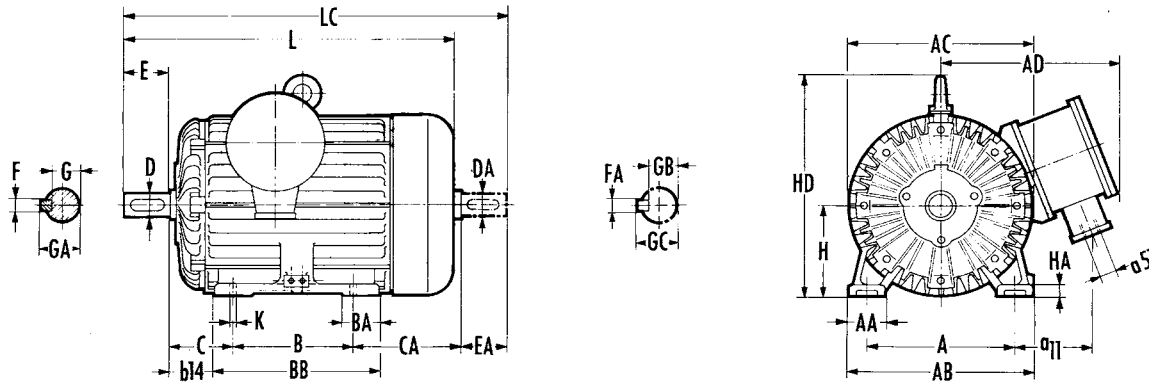
* ISO tolerances : 24 and 28 | 6 (+0.009, -0.004); 38, 42 and 48 | 6 (+0.018, +0.002); 55, 60, 65, 75 and 80 | 6 (+0.030, +0.011)

** Standard model sizes

(1) 1500, 1000 and 750 RPM motors

(2) 3000 RPM motors

FLAME-PROOF TYPE (BFGC3 315A to 400A Motors)



FOOT-MOUNTED MOTORS - IM 1001 Layout

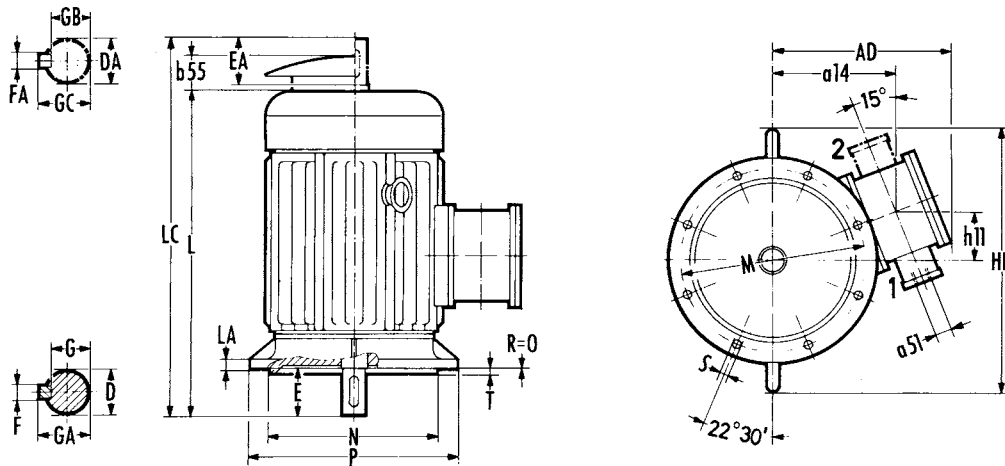
MOTOR TYPE	DIMENSIONS (mm)																			SHAFT EXTENSIONS									
	A	AA	AB	AC	AD	a11	B	BA	BB	b14	C	CA	H	HA	HD	k	L	LC	a51	D*	DA*	E	EA	F	FA	G	GB	GA	GC
BFGC3 315 MA (1)	508	130	632	632	690	345	457	150	613	165	216	391	315	43	772	28	1238	1413	1 hole	90	70	170	140	25	20	81	62.5	95	74.5
BFGC3 315 MA (2)	508	130	632	632	690	345	457	150	613	165	216	391	315	43	772	28	1208	1353	M63x1.5	70	70	140	140	20	20	62.5	62.5	74.5	74.5
BFGC3 355 MA (1)	610	145	730	718	742	333	560	175	800	156	254	487	355	49	783(2)	28	1466	1641		95	95	170	170	25	25	86	86	100	100
BFGC3 355 MA (2)	610	145	730	718	742	333	560	175	800	156	254	487	355	49	783(1)	28	1436	1581	2 holes	70	70	140	140	20	20	62.5	62.5	74.5	74.5
BFGC3 400 LA (1)	686	150	810	804	787	340	710	175	850	221	280	548	400	55	858(1)	35	1743	1958	M63x1.5	110	110	210	210	28	28	100	100	116	116
BFGC3 400 LA (2)	686	150	810	804	787	340	710	175	850	221	280	548	400	55	858(2)	35	1673	1818		70	70	140	140	20	20	62.5	62.5	74.5	74.5

(1) 1500, 1000 and 750 RPM motors

(2) 3000 RPM motors

• ISO Tolerance: 65, 70 and 80 m 6 (+0.030 / +0.011); 95 and 110 m 6 (+0.035 / +0.013)

(2) These motors cannot have suspension archs, but are held by the sides of the terminal box. The figure given refers to the upper part of the terminal box.



FLANGE-MOUNTED MOTORS - IM 3001 Layout

MOTOR TYPE	DIMENSIONS (mm)																			SHAFT EXTENSIONS							
	FLANGE DIMENSIONS						MAIN DIMENSIONS						SHAFT EXTENSIONS														
IEC	M	N	P	LA	T	S	AD	a14	b55	HD	h11	L	LC	a51	D*	DA*	E	EA	F	FA	G	GB	GA	GC			
BFGC3 315 MA (1)	F 600	600	550	660	22	6	24	687	509	118	834	185	1238	1413	1 hole	90	70	170	140	25	20	81	62.5	95	74.5		
BFGC3 315 MA (2)	F 600	600	550	660	22	6	24	687	509	118	834	185	1208	1353	M63x1.5	70	70	140	140	20	20	62.5	62.5	74.5	74.5		
BFGC3 355 MA (1)	F 740	740	680	800	25	6	24	732	541	125	928	196	1466	1641		95	95	170	170	25	25	86	86	100	100		
BFGC3 355 MA (2)	F 740	740	680	800	25	6	24	732	541	125	928	196	1436	1581	2 holes	70	70	140	140	20	20	62.5	62.5	74.5	74.5		
BFGC3 400 LA (1)	F 940	940	880	1000	28	6	28	777	586	132	1010	226	1743	1958	M63x1.5	110	110	210	210	28	28	100	100	116	116		
BFGC3 400 LA (2)	F 940	940	880	1000	28	6	28	777	586	132	1010	226	1673	1818		70	70	140	140	20	20	62.5	62.5	74.5	74.5		

• ISO tolerances: 65, 70 and 80 m 6 (+0.030 / +0.011); 90 and 110 m 6 (+0.035 / +0.013)

(1) 1500, 1000 and 750 RPM motors

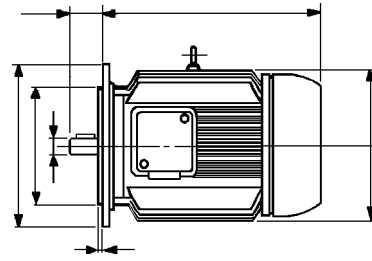
(2) 3000 RPM motors

Note: In BFGC3 355 and 400 motors, the power cable input is alongside the shaft end.

TWO SPEED MOTOR (FOR GENERAL APPLICATION) METRIC IEC STANDARD

60Hz* 3600/1800 RPM 2/4 Pole
250-280 or 440-480V

50Hz* 3000/1500 RPM 2/4 Pole
220-240V or 380-415V



Part Number	Type Mount	kW	HP	Weight kg	Part Number	Type Mount	kW	HP	Weight kg
BF5 71M424	FOOT	0.37/0.25	0.5/0.34	5.8	BF5 180M424	FOOT	18.5/12.5	25/17	113
BF5 71M424	FOOT	0.45/0.3	0.6/0.4	5.8	BF5 180L624	FOOT	22/15	30/20	125
BF5 71M424	FLANGE	0.37/0.25	0.5/0.34	5.8	BF5 180M424	FLANGE	18.5/12.5	25/17	113
BF5 71M424	FLANGE	0.45/0.3	0.6/0.4	5.8	BF5 180L624	FLANGE	22/15	30/20	125
BF5 80M424	FOOT	0.6/0.45	0.8/0.6	7.6	BF5 200L824	FOOT	30/20	40/27	175
BF5 80M624	FOOT	0.85/0.65	1.1/0.9	9	BF5 200L824	FLANGE	30/20	40/27	175
BF5 80M424	FLANGE	0.6/0.45	0.8/0.6	7.6	BF5 225M424	FOOT	33/22	45/30	210
BF5 80M624	FLANGE	0.85/0.65	1.1/0.9	9	BF5 225M424	FLANGE	33/22	45/30	210
BF5 90S224	FOOT	1.3/1	1.7/1.4	11.5	BF4 250M424	FOOT	45/30	60/40	445
BF5 90L624	FOOT	2/1.6	2.7/2.1	13.4	BF4 250M424	FLANGE	45/30	60/40	445
BF5 90S224	FLANGE	1.3/1	1.7/1.4	11.5	BF4 280SA424	FOOT	55/37	75/50	525
BF5 90L624	FLANGE	2/1.6	2.7/2.1	13.4	BF4 280MA624	FOOT	75/45	100/60	580
BF5 100L224	FOOT	2.7/2.2	3.6/3	18	BF4 280SA424	FLANGE	55/37	75/50	525
BF5 100L424	FOOT	3.4/2.7	4.5/3.6	20.5	BF4 280MA624	FLANGE	75/45	100/60	580
BF5 100L224	FLANGE	2.7/2.2	3.6/3	18	BF4 315SA424	FOOT	92/55	125/75	734
BF5 100L424	FLANGE	3.4/2.7	4.5/3.6	20.5	BF4 315MA624	FOOT	110/66	150/90	814
BF5 112M424	FOOT	4.5/3.3	6/4.5	25	BF4 315SA424	FLANGE	92/55	125/75	734
BF5 112M424	FLANGE	4.5/3.3	6/4.5	25	BF4 315MA624	FLANGE	110/66	150/90	814
BF5 132S424	FOOT	5.7/4.6	7.6/6.1	35					
BF5 132M824	FOOT	7.6/6.3	10.1/8.4	45					
BF5 132S424	FLANGE	5.7/4.6	7.6/6.1	35					
BF5 132M824	FLANGE	7.6/6.3	10.1/8.4	45					
BF5 160M424	FOOT	12.5/8.5	17/11.5	69					
BF5 160L624	FOOT	15/11	20/15	81					
BF5 160M424	FLANGE	12.5/8.5	17/11.5	69					
BF5 160L624	FLANGE	15/11	20/15	81					

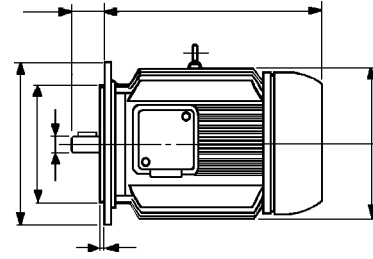
* All Ametric® Motors are designed to operate domestically at 60Hz and for export at 50Hz (with a corresponding change in voltage and RPMs) and are available with either foot or flange mountings. For outputs lower than 3 kw Δ terminals = 220-240V/250-280V 50/60Hz & Y terminals = 380-415V/440-480V 50/60Hz. For outputs greater than 3 kw only Δ terminals available at 380-415V/440-480V 50/60Hz. (voltage variation -5% +6%)

102 American Metric® Corporation

G = B5 Flange unless otherwise specified.

TWO SPEED MOTOR (FOR GENERAL APPLICATION) METRIC IEC STANDARD

60Hz* 1800/900 RPM 4/8 Pole
250-280 or 440-480V
50Hz* 1500/750 RPM 4/8 Pole
220-240V or 380-415V



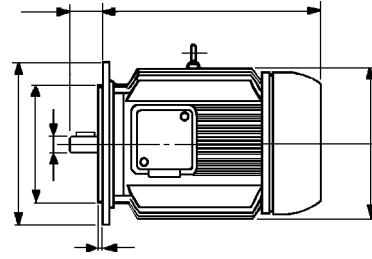
Part Number	Type Mount	kW	HP	Weight kg	Part Number	Type Mount	kW	HP	Weight kg
BF5 71M448	FOOT	0.22/0.12	0.3/0.16	5.8	BF5 180M448	FOOT	15/9.5	20/13	115
BF5 71M448	FLANGE	0.22/0.12	0.3/0.16	5.8	BF5 180M448	FLANGE	15/9.5	20/13	115
BF5 80M448	FOOT	0.4/0.2	0.5/0.26	9	BF5 200L448	FOOT	20/11	27/15	140
BF5 80M448	FOOT	0.6/0.28	0.8/0.37	9	BF5 200L448	FLANGE	20/11	27/15	140
BF5 80M448	FLANGE	0.4/0.2	0.5/0.26	9	BF5 225S248	FOOT	24/18	33/24	170
BF5 80M448	FLANGE	0.6/0.28	0.8/0.37	9	BF5 225M448	FOOT	30/22	40/30	180
BF5 90S248	FOOT	0.7/0.37	0.9/0.5	11.5	BF5 225S248	FLANGE	24/18	33/24	170
BF5 90L248	FOOT	1.1/0.75	1.5/1	15	BF5 225M448	FLANGE	30/22	40/30	180
BF5 90S248	FLANGE	0.7/0.37	0.9/0.5	11.5	BF4 250M448	FOOT	37/26	50/35	445
BF5 90L248	FLANGE	1.1/0.75	1.5/1	15	BF4 250M448	FLANGE	37/26	50/35	445
BF5 100L248	FOOT	1.5/0.75	2/1	18	BF4 280SA448	FOOT	45/30	60/40	480
BF5 100L448	FOOT	2.2/1	3/1.4	20.5	BF4 280MA648	FOOT	55/37	75/50	555
BF5 100L248	FLANGE	1.5/0.75	2/1	18	BF4 280MA848	FOOT	66/45	90/60	594
BF5 100L448	FLANGE	2.2/1	3/1.4	20.5	BF4 280SA448	FLANGE	45/30	60/40	480
BF5 112M448	FOOT	2.7/1.5	3.6/2	25	BF4 280SA648	FLANGE	55/37	75/50	555
BF5 112M448	FOOT	3.3/1.7	4.5/2.3	25	BF4 280MA848	FLANGE	66/45	90/60	594
BF5 112M448	FLANGE	2.7/1.5	3.6/2	25	BF4 315SA648	FOOT	81/55	110/75	705
BF5 112M448	FLANGE	3.3/1.7	4.5/2.3	25	BF4 315MA648	FOOT	93/66	126/90	780
BF5 132M848	FOOT	4/2	5.5/2.7	47	BF4 315MA848	FOOT	110/81	150/110	820
BF5 132M848	FOOT	5.2/2.8	6.9/3.7	47	BF4 315SA648	FLANGE	81/55	110/75	705
BF5 132M848	FOOT	5.7/3.4	7.6/4.5	47	BF4 315MA648	FLANGE	93/66	126/90	780
BF5 132M848	FLANGE	4/2	5.5/2.7	47	BF4 315MA848	FLANGE	110/81	150/110	820
BF5 132M848	FLANGE	5.2/2.8	6.9/3.7	47					
BF5 132M848	FLANGE	5.7/3.4	7.6/4.5	47					
BF5 160M648	FOOT	8/4.5	11/6	68					
BF5 160L648	FOOT	12/7	16/9.5	81					
BF5 160M648	FLANGE	8/4.5	11/6	68					
BF5 160L648	FLANGE	12/7	16/9.5	81					

* All Ametric® Motors are designed to operate domestically at 60Hz and for export at 50Hz (with a corresponding change in voltage and RPMs) and are available with either foot or flange mountings. For outputs lower than 3 kw Δ terminals = 220-240V/250-280V 50/60Hz & Y terminals = 380-415V/440-480V 50/60Hz. For outputs greater than 3 kw only Δ terminals available at 380-415V/440-480V 50/60Hz. (voltage variation -5% +6%)

TWO SPEED MOTOR (FOR GENERAL APPLICATION) METRIC IEC STANDARD

60Hz* 1800/1200 RPM 4/6 Pole
250-280 or 440-480V

50Hz* 1500/1000 RPM 4/6 Pole
220-240V or 380-415V



Part Number	Type Mount	kW	HP	Weight kg	Part Number	Type Mount	kW	HP	Weight kg
BF5 71M446	FOOT	0.25/0.15	0.34/0.2	5.8	BF5 180M446	FOOT	13/8	18/11	113
BF5 71M446	FLANGE	0.25/0.15	0.34/0.2	5.8	BF5 180L646	FOOT	15/10	20/14	125
BF5 80M646	FOOT	0.35/0.3	0.5/0.4	9	BF5 180M446	FLANGE	13/8	18/11	113
BF5 80M646	FOOT	0.5/0.37	0.7/0.5	9	BF5 180L646	FLANGE	15/10	20/14	125
BF5 80M646	FLANGE	0.35/0.3	0.5/0.4	9	BF5 200L446	FOOT	17/12	23/16	149
BF5 80M646	FLANGE	0.5/0.37	0.7/0.5	9	BF5 200L646	FOOT	23/15	31/20	149
BF5 90S446	FOOT	0.8/0.45	1.1/0.6	11.5	BF5 200L446	FLANGE	17/12	23/16	149
BF5 90L646	FOOT	1.2/0.65	1.6/0.9	15	BF5 200L646	FLANGE	23/15	31/20	149
BF5 90S446	FLANGE	0.8/0.45	1.1/0.6	11.5	BF5 225M446	FOOT	30/20	40/27	200
BF5 90L646	FLANGE	1.2/0.65	1.6/0.9	15	BF5 225M446	FLANGE	30/20	40/27	200
BF5 100L246	FOOT	1.5/0.9	2/1.2	18	BF4 250M446	FOOT	37/22	50/30	437
BF5 100L446	FOOT	1.8/1.1	2.5/1.5	20.5	BF4 250M446	FLANGE	37/22	50/30	437
BF5 100L246	FLANGE	1.5/0.9	2/1.2	18	BF4 280SA446	FOOT	45/26	60/35	480
BF5 100L446	FLANGE	1.8/1.1	2.5/1.5	20.5	BF4 280MA446	FOOT	55/30	75/40	500
BF5 112M446	FOOT	2.4/1.85	3.2/2.5	23	BF4 280MA846	FOOT	66/44	90/60	594
BF5 112M446	FOOT	2.8/2.05	3.7/2.7	23	BF4 280SA446	FLANGE	45/26	60/35	480
BF5 112M446	FLANGE	2.4/1.85	3.2/2.5	23	BF4 280MA446	FLANGE	55/30	75/40	500
BF5 112M446	FLANGE	2.8/2.05	3.7/2.7	23	BF4 280MA846	FLANGE	66/44	90/60	594
BF5 132M846	FOOT	3.9/2.65	5.2/3.5	47	BF4 315SA446	FOOT	81/55	110/75	750
BF5 132M846	FOOT	5.4/3.5	7.2/4.6	47	BF4 315MA646	FOOT	95/66	130/90	820
BF5 132M846	FLANGE	3.9/2.65	5.2/3.5	47	BF4 315SA446	FLANGE	81/55	110/75	750
BF5 132M846	FLANGE	5.4/3.5	7.2/4.6	47	BF4 315MA646	FLANGE	95/66	130/90	820
BF5 160M446	FOOT	7.5/5.5	10/7.5	69					
BF5 160L646	FOOT	11.5/8.5	15.3/11.5	81					
BF5 160M446	FLANGE	7.5/5.5	10/7.5	69					
BF5 160L646	FLANGE	11.5/8.5	15.3/11.5	81					

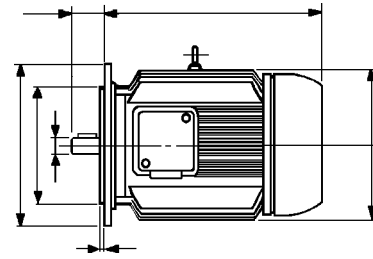
* All Ametric® Motors are designed to operate domestically at 60Hz and for export at 50Hz (with a corresponding change in voltage and RPMs) and are available with either foot or flange mountings. For outputs lower than 3 kw Δ terminals = 220-240V/250-280V 50/60Hz & Y terminals = 380-415V/440-480V 50/60Hz. For outputs greater than 3 kw only Δ terminals available at 380-415V/440-480V 50/60Hz. (voltage variation -5% +6%)

104 American Metric® Corporation

G = B5 Flange unless otherwise specified.

TWO SPEED MOTOR (FOR GENERAL APPLICATION) METRIC IEC STANDARD

60Hz* 1200/900 RPM 6/8 Pole
250-280 or 440-480V
50Hz* 1000/750 RPM 6/8 Pole
220-240V or 380-415V



Part Number	Type Mount	kW	HP	Weight kg	Part Number	Type Mount	kW	HP	Weight kg
BF5 71M468	FOOT	0.12/0.05	0.16/0.07	5.8	BF5 180L868	FOOT	13/9.5	18/13	115
BF5 71M468	FLANGE	0.12/0.05	0.16/0.07	5.8	BF5 180L868	FLANGE	13/9.5	18/13	115
BF5 80M668	FOOT	0.25/0.12	0.34/0.16	9	BF5 200L668	FOOT	16/12	21/16	125
BF5 80M668	FLANGE	0.25/0.12	0.34/0.16	9	BF5 200L868	FOOT	22/16	30/21	140
BF5 90L668	FOOT	0.37/0.25	0.5/0.34	15	BF5 200L668	FLANGE	16/12	21/16	125
BF5 90L668	FLANGE	0.37/0.25	0.5/0.34	15	BF5 200L868	FLANGE	22/16	30/21	140
BF5 100L268	FOOT	0.55/0.37	0.75/0.5	18	BF5 225M468	FOOT	25/18.5	34/25	210
BF5 100L468	FOOT	0.75/0.55	1/0.75	20.5	BF5 225M468	FLANGE	25/18.5	34/25	210
BF5 100L268	FLANGE	0.55/0.37	0.75/0.5	18	BF4 250M468	FOOT	30/22	40/30	405
BF5 100L468	FLANGE	0.75/0.55	1/0.75	20.5	BF4 250M468	FLANGE	30/22	40/30	405
BF5 112M468	FOOT	1.1/0.75	1.5/1	25	BF4 280M668	FOOT	42/31	56/41	475
BF5 112M468	FOOT	1.5/0.88	2/1.2	25	BF4 280M868	FOOT	55/45	75/60	490
BF5 112M468	FLANGE	1.1/0.75	1.5/1	25	BF4 280M668	FLANGE	42/31	56/41	475
BF5 112M468	FLANGE	1.5/0.88	2/1.2	25	BF4 280M868	FLANGE	55/45	75/60	490
BF5 132S868	FOOT	2.65/1.95	3.5/2.6	35	BF4 315MA668	FOOT	70/55	93/75	790
BF5 132M868	FOOT	3/2.2	4/3	47	BF4 315MA668	FLANGE	70/55	93/75	790
BF5 132S868	FLANGE	2.65/1.95	3.5/2.6	35					
BF5 132M868	FLANGE	3/2.2	4/3	47					
BF5 160M468	FOOT	4/3	5.5/4	69					
BF5 160L468	FOOT	6.2/4.4	8.3/6						
BF5 160L668	FOOT	8.4/5.7	11/7.6	81					
BF5 160M468	FLANGE	4/3	5.5/4	69					
BF5 160L468	FLANGE	6.2/4.4	8.3/6						
BF5 160L668	FLANGE	8.4/5.7	11/7.6	81					

* All Ametric® Motors are designed to operate domestically at 60Hz and for export at 50Hz (with a corresponding change in voltage and RPMs) and are available with either foot or flange mountings. For outputs lower than 3 kw Δ terminals = 220-240V/250-280V 50/60Hz & Y terminals = 380-415V/440-480V 50/60Hz. For outputs greater than 3 kw only Δ terminals available at 380-415V/440-480V 50/60Hz. (voltage variation -5% +6%)

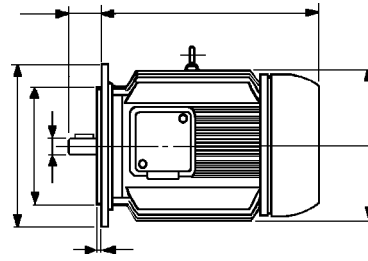
American Metric® Corporation 105

G = B5 Flange unless otherwise specified.

TWO SPEED MOTOR (FOR FAN APPLICATION) METRIC IEC STANDARD

60Hz* 3600/1800 RPM 2/4 Pole
250-280 or 440-480V

50Hz* 3000/1500 RPM 2/4 Pole
220-240V or 380-415V



Part Number	Type Mount	kW	HP	Weight kg	Part Number	Type Mount	kW	HP	Weight kg
BF5 71M424	FOOT	0.55/0.11	0.75/0.15	5.8	BF5 180M424	FOOT	20/4	27/5.5	120
BF5 71M424	FLANGE	0.55/0.11	0.75/0.15	5.8	BF5 180L424	FOOT	24/4.8	33/6.5	
BF5 80M424	FOOT	0.9/0.18	1.2/0.25	9	BF5 180M424	FLANGE	20/4	27/5.5	120
BF5 80M624	FOOT	1.2/0.25	1.6/0.34	9	BF5 180L424	FLANGE	24/4.8	33/6.5	
BF5 80M424	FLANGE	0.9/0.18	1.2/0.25	9	BF5 200L624	FOOT	27/5.5	37/7.5	
BF5 80M624	FLANGE	1.2/0.25	1.6/0.34	9	BF5 200L824	FOOT	32/6.5	43/8.8	175
BF5 90S224	FOOT	1.6/0.35	2.1/0.5	12	BF5 200L624	FLANGE	27/5.5	37/7.5	
BF5 90L424	FOOT	2.2/0.45	3/0.6	14	BF5 200L824	FLANGE	32/6.5	43/8.8	175
BF5 90S224	FLANGE	1.6/0.35	2.1/0.5	12	BF5 225M424	FOOT	37/7	50/9.5	220
BF5 90L424	FLANGE	2.2/0.45	3/0.6	14	BF5 225M424	FLANGE	37/7	50/9.5	220
BF5 100L424	FOOT	3.5/0.7	4.6/0.9	20.5	BF4 250M424	FOOT	45/8.8	60/12	445
BF5 100L424	FLANGE	3.5/0.7	4.6/0.9	20.5	BF4 250M424	FLANGE	45/8.8	60/12	445
BF5 112M224	FOOT	4.5/1.1	6/1.5	23	BF4 280SA424	FOOT	55/11	75/15	525
BF5 112M424	FOOT	5.5/1.35	7.5/1.8		BF4 280MA624	FOOT	75/15	100/20	580
BF5 112M224	FLANGE	4.5/1.1	6/1.5	23	BF4 280SA424	FLANGE	55/11	75/15	525
BF5 112M424	FLANGE	5.5/1.35	7.5/1.8		BF4 280MA624	FLANGE	75/15	100/20	580
BF5 132S624	FOOT	6.9/1.7	9.2/2.3	42	BF4 315SA424	FOOT	90/18.5	122/25	734
BF5 132S624	FOOT	8.3/2.1	11/2.8	42	BF4 315MA624	FOOT	110/22	150/30	814
BF5 132M824	FOOT	9/2.5	12/3.4		BF4 315SA424	FLANGE	90/18.5	122/25	734
BF5 132S624	FLANGE	6.9/1.7	9.2/2.3	42	BF4 315MA624	FLANGE	110/22	150/30	814
BF5 132S624	FLANGE	8.3/2.1	11/2.8	42					
BF5 132M824	FLANGE	9/2.5	12/3.4						
BF5 160M424	FOOT	15/3	20/4	70					
BF5 160L624	FOOT	18/4	24/5.5	82					
BF5 160M424	FLANGE	15/3	20/4	70					
BF5 160L624	FLANGE	18/4	24/5.5	82					

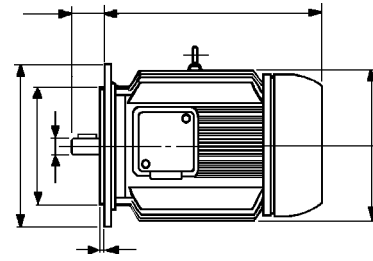
* All Ametric® Motors are designed to operate domestically at 60Hz and for export at 50Hz (with a corresponding change in voltage and RPMs) and are available with either foot or flange mountings. For outputs lower than 3 kw Δ terminals = 220-240V/250-280V 50/60Hz & Y terminals = 380-415V/440-480V 50/60Hz. For outputs greater than 3 kw only Δ terminals available at 380-415V/440-480V 50/60Hz. (voltage variation -5% +6%)

106 American Metric® Corporation

G = B5 Flange unless otherwise specified.

TWO SPEED MOTOR (FOR FAN APPLICATION) METRIC IEC STANDARD

60Hz* 1800/900 RPM 4/8 Pole
250-280 or 440-480V
50Hz* 1500/750 RPM 4/8 Pole
220-240V or 380-415V



Part Number	Type Mount	kW	HP	Weight kg	Part Number	Type Mount	kW	HP	Weight kg
BF5 71M448	FOOT	0.4/0.1	0.5/0.13	5.8	BF5 180M448	FOOT	17/3.4	23/4.5	113
BF5 71M448	FLANGE	0.4/0.1	0.5/0.13	5.8	BF5 180L648	FOOT	20/4	27/5.5	125
BF5 80M448	FOOT	0.65/0.13	0.9/0.17		BF5 180M448	FLANGE	17/3.4	23/4.5	113
BF5 80M648	FOOT	0.85/0.18	1.1/0.25	9	BF5 180L648	FLANGE	20/4	27/5.5	125
BF5 80M448	FLANGE	0.65/0.13	0.9/0.17		BF5 200L448	FOOT	26/5	35/6.8	
BF5 80M648	FLANGE	0.85/0.18	1.1/0.25	9	BF5 200L448	FLANGE	26/5	35/6.8	
BF5 90S448	FOOT	1.2/0.28	1.6/0.37		BF5 225S248	FOOT	36/7	48/9.5	200
BF5 90L648	FOOT	1.7/0.35	2.3/0.5	15	BF5 225M448	FOOT	42/8.5	56/11.5	210
BF5 90S448	FLANGE	1.2/0.28	1.6/0.37		BF5 225S248	FLANGE	36/7	48/9.5	200
BF5 90L648	FLANGE	1.7/0.35	2.3/0.5	15	BF5 225M448	FLANGE	42/8.5	56/11.5	210
BF5 100L248	FOOT	2.3/0.5	3/0.7	18	BF4 250M448	FOOT	40/8.8	55/12	440
BF5 100L448	FOOT	2.8/0.6	3.7/0.8	21	BF4 250M448	FLANGE	40/8.8	55/12	440
BF5 100L248	FLANGE	2.3/0.5	3/0.7	18	BF4 280SA448	FOOT	47/11	64/15	480
BF5 100L448	FLANGE	2.8/0.6	3.7/0.8	21	BF4 280MA648	FOOT	58/15	79/20	545
BF5 112M448	FOOT	3.7/0.92	5/1.2	25	BF4 280MA848	FOOT	68/18.5	92/25	595
BF5 112M448	FLANGE	3.7/0.92	5/1.2	25	BF4 280SA448	FLANGE	47/11	64/15	480
BF5 132S848	FOOT	5.2/1.35	6.9/1.8		BF4 280SA648	FLANGE	58/15	79/20	545
BF5 132M848	FOOT	6.3/1.7	8.4/2.3	45	BF4 280MA848	FLANGE	68/18.5	92/25	595
BF5 132M848	FOOT	8.4/2.05	11/2.7	45	BF4 315SA448	FOOT	85/22	116/30	680
BF5 132S848	FLANGE	5.2/1.35	6.9/1.8		BF4 315MA648	FOOT	97/25	132/34	775
BF5 132M848	FLANGE	6.3/1.7	8.4/2.3	45	BF4 315MA848	FOOT	115/30	156/40	820
BF5 132M848	FLANGE	8.4/2.05	11/2.7	45	BF4 315SA448	FLANGE	85/22	116/30	680
BF5 160M448	FOOT	10.5/2.2	14/3	69	BF4 315MA648	FLANGE	97/25	132/34	775
BF5 160L648	FOOT	15.5/2.7	20/3.6	81	BF4 315MA848	FLANGE	115/30	156/40	820
BF5 160M448	FLANGE	10.5/2.2	14/3	69					
BF5 160L648	FLANGE	15.5/2.7	20/3.6	81					

* All Ametric® Motors are designed to operate domestically at 60Hz and for export at 50Hz (with a corresponding change in voltage and RPMs) and are available with either foot or flange mountings. For outputs lower than 3 kw Δ terminals = 220-240V/250-280V 50/60Hz & Y terminals = 380-415V/440-480V 50/60Hz. For outputs greater than 3 kw only Δ terminals available at 380-415V/440-480V 50/60Hz. (voltage variation -5% +6%)

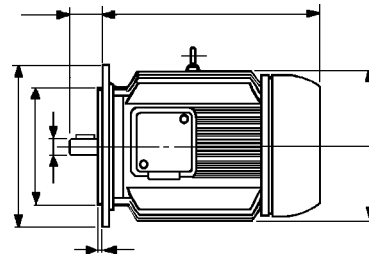
American Metric® Corporation 107

G = B5 Flange unless otherwise specified.

TWO SPEED MOTOR (FOR FAN APPLICATION) METRIC IEC STANDARD

60Hz* 1800/1200 RPM 4/6 Pole
250-280 or 440-480V

50Hz* 1500/1000 RPM 4/6 Pole
220-240V or 380-415V



Part Number	Type Mount	kW	HP	Weight kg	Part Number	Type Mount	kW	HP	Weight kg
BF5 71M446	FOOT	0.3/0.1	0.4/0.13	5.8	BF5 180M446	FOOT	16/5	21/6.8	113
BF5 71M446	FLANGE	0.3/0.1	0.4/0.13	5.8	BF5 180L446	FOOT	20/6.5	27/8.8	
BF5 80M646	FOOT	0.5/0.15	0.7/0.2	9	BF5 180M446	FLANGE	16/5	21/6.8	113
BF5 80M646	FOOT	0.65/0.22	0.9/0.3	9	BF5 180L446	FLANGE	20/6.5	27/8.8	
BF5 80M646	FLANGE	0.5/0.15	0.7/0.2	9	BF5 200L446	FOOT	22.7/7.5	30/10	
BF5 80M646	FLANGE	0.65/0.22	0.9/0.3	9	BF5 200L646	FOOT	27/9	37/12	149
BF5 90S446	FOOT	1.1/0.32	1.5/0.4		BF5 200L446	FLANGE	22.7/7.5	30/10	
BF5 90L646	FOOT	1.6/0.5	2.1/0.7	15	BF5 200L646	FLANGE	27/9	37/12	149
BF5 90S446	FLANGE	1.1/0.32	1.5/0.4		BF5 225M246	FOOT	34/12	45/16	
BF5 90L646	FLANGE	1.6/0.5	2.1/0.7	15	BF5 225M246	FLANGE	34/12	45/16	
BF5 100L246	FOOT	2/0.6	2.7/0.8	18	BF4 250M446	FOOT	42/15	56/20	445
BF5 100L446	FOOT	2.4/0.75	3.2/1	20.5	BF4 250M446	FLANGE	42/15	56/20	445
BF5 100L246	FLANGE	2/0.6	2.7/0.8	18	BF4 280SA446	FOOT	50/18.5	67/25	510
BF5 100L446	FLANGE	2.4/0.75	3.2/1	20.5	BF4 280MA846	FOOT	66/22	90/30	595
BF5 112M446	FOOT	3.45/1.1	4.6/1.5	25	BF4 280SA446	FLANGE	50/18.5	67/25	510
BF5 112M446	FLANGE	3.45/1.1	4.6/1.5	25	BF4 280MA846	FLANGE	66/22	90/30	595
BF5 132S846	FOOT	4.6/1.35	6.1/1.8		BF4 315SA446	FOOT	80/30	110/40	750
BF5 132M846	FOOT	6.2/1.8	8.3/2.5	45	BF4 315MA646	FOOT	95/37	130/50	820
BF5 132M846	FOOT	7.2/2.1	9.6/2.8	45	BF4 315SA446	FLANGE	80/30	110/40	750
BF5 132S846	FLANGE	4.6/1.35	6.1/1.8		BF4 315MA646	FLANGE	95/37	130/50	820
BF5 132M846	FLANGE	6.2/1.8	8.3/2.5	45					
BF5 132M846	FLANGE	7.2/2.1	9.6/2.8	45					
BF5 160M646	FOOT	10/3.3	14/4.5						
BF5 160L646	FOOT	14.5/4.5	19/6	81					
BF5 160M646	FLANGE	10/3.3	14/4.5						
BF5 160L646	FLANGE	14.5/4.5	19/6	81					

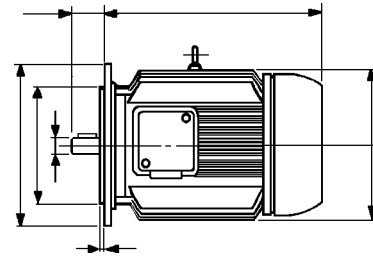
* All Ametric® Motors are designed to operate domestically at 60Hz and for export at 50Hz (with a corresponding change in voltage and RPMs) and are available with either foot or flange mountings. For outputs lower than 3 kw Δ terminals = 220-240V/250-280V 50/60Hz & Y terminals = 380-415V/440-480V 50/60Hz. For outputs greater than 3 kw only Δ terminals available at 380-415V/440-480V 50/60Hz. (voltage variation -5% +6%)

108 American Metric® Corporation

G = B5 Flange unless otherwise specified.

TWO SPEED MOTOR (FOR FAN APPLICATION) METRIC IEC STANDARD

60Hz* 1200/900 RPM 6/8 Pole
250-280 or 440-480V
50Hz* 1000/750 RPM 6/8 Pole
220-240V or 380-415V



Part Number	Type Mount	kW	HP	Weight kg	Part Number	Type Mount	kW	HP	Weight kg
BF5 71M468	FOOT	0.12/0.05	0.16/0.07	5.8	BF5 180L468	FOOT	10/5	14/6.8	115
BF5 71M468	FLANGE	0.12/0.05	0.16/0.07	5.8	BF5 180L668	FOOT	14/6.2	19/8.3	
BF5 80M668	FOOT	0.25/0.08	0.34/0.1	9	BF5 180L468	FLANGE	10/5	14/6.8	115
BF5 80M668	FOOT	0.3/0.1	0.4/0.13	9	BF5 180L668	FLANGE	14/6.2	19/8.3	
BF5 80M668	FLANGE	0.25/0.08	0.34/0.1	9	BF5 200L668	FOOT	17/8	23/11	
BF5 80M668	FLANGE	0.3/0.1	0.4/0.13	9	BF5 200L868	FOOT	24/11.5	33/15.3	
BF5 90S468	FOOT	0.45/0.18	0.6/0.25		BF5 200L668	FLANGE	17/8	23/11	
BF5 90L668	FOOT	0.6/0.24	0.8/0.33	15	BF5 200L868	FLANGE	24/11.5	33/15.3	
BF5 90S468	FLANGE	0.45/0.18	0.6/0.25		BF5 225M468	FOOT	28/13	37/18	205
BF5 90L668	FLANGE	0.6/0.24	0.8/0.33	15	BF5 225M468	FLANGE	28/13	37/18	205
BF5 100L268	FOOT	1.1/0.5	1.5/0.7	18	BF4 250M468	FOOT	33/17	45/23	405
BF5 100L468	FOOT	1.4/0.6	1.9/0.8	20.5	BF4 250M468	FLANGE	33/17	45/23	405
BF5 100L268	FLANGE	1.1/0.5	1.5/0.7	18	BF4 280SA468	FOOT	37/18.5	50/25	470
BF5 100L468	FLANGE	1.4/0.6	1.9/0.8	20.5	BF4 280MA668	FOOT	45/22	60/30	
BF5 112M468	FOOT	1.8/0.75	2.5/1	25	BF4 280MA668	FOOT	58/27	79/37	
BF5 112M468	FLANGE	1.8/0.75	2.5/1	25	BF4 280SA468	FLANGE	37/18.5	50/25	470
BF5 132S868	FOOT	2.5/1.1	3.4/1.5		BF4 280MA668	FLANGE	45/22	60/30	
BF5 132M868	FOOT	3.3/1.4	4.5/1.9	47	BF4 280MA668	FLANGE	58/27	79/37	
BF5 132S868	FLANGE	2.5/1.1	3.4/1.5		BF4 315SA668	FOOT	75/33	100/45	
BF5 132M868	FLANGE	3.3/1.4	4.5/1.9	47	BF4 315MA668	FOOT	82/36	109/48	790
BF5 160M468	FOOT	4/2	5.5/2.7	69	BF4 315SA668	FLANGE	75/33	100/45	
BF5 160M468	FOOT	5/2.5	6.8/3.4	69	BF4 315MA668	FLANGE	82/36	109/48	790
BF5 160L668	FOOT	7.1/3	9.5/4	81					
BF5 160M468	FLANGE	4/2	5.5/2.7	69					
BF5 160M468	FLANGE	5/2.5	6.8/3.4	69					
BF5 160L668	FLANGE	7.1/3	9.5/4	81					

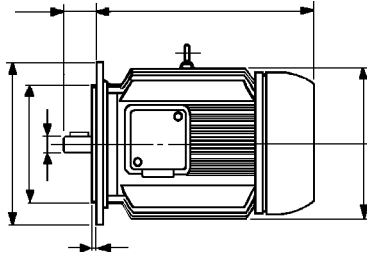
* All Ametric® Motors are designed to operate domestically at 60Hz and for export at 50Hz (with a corresponding change in voltage and RPMs) and are available with either foot or flange mountings. For outputs lower than 3 kw Δ terminals = 220-240V/250-280V 50/60Hz & Y terminals = 380-415V/440-480V 50/60Hz. For outputs greater than 3 kw only Δ terminals available at 380-415V/440-480V 50/60Hz. (voltage variation -5% +6%)

American Metric® Corporation 109

G = B5 Flange unless otherwise specified.

SINGLE PHASE TEFC CAPACITOR RUN METRIC IEC STANDARD

60Hz 3600RPM 2 Pole
115V or 230V
50Hz 3000RPM 2 Pole
110V or 220V



60Hz 1800RPM 4 Pole
115V or 230V
50Hz 1500RPM 4 Pole
110V or 220V

Part Number	Type Mount	kW	HP	Weight kg	Part Number	Type Mount	kW	HP	Weight kg
BF5C 71M42	FOOT	0.18	0.24	5.9	BF5C 71M44	FOOT	0.18	0.24	6.0
BF5C 71M42	FOOT	0.25	0.34	5.9	BF5C 71M44	FOOT	0.25	0.34	6.0
BF5C 71M42	FOOT	0.37	0.50	5.9	BF5C 71M44	FOOT	0.37	0.50	6.0
BF5C 71M62	FOOT	0.55	0.74	6.3	BF5C 71M44	FLANGE	0.18	0.24	6.0
BF5C 71M42	FLANGE	0.18	0.24	5.9	BF5C 71M44	FLANGE	0.25	0.34	6.0
BF5C 71M42	FLANGE	0.25	0.34	5.9	BF5C 71M44	FLANGE	0.37	0.50	6.0
BF5C 71M42	FLANGE	0.37	0.50	5.9					
BF5C 71M62	FLANGE	0.55	0.74	6.3	BF5C 80M44	FOOT	0.55	0.74	8.6
BF5C 80M42	FOOT	0.75	1.01	9.2	BF5C 80M64	FOOT	0.75	1.01	9.4
BF5C 80M42	FLANGE	0.75	1.01	9.2	BF5C 80M44	FLANGE	0.55	0.74	8.6
					BF5C 80M64	FLANGE	0.75	1.01	9.4
BF5C 90S22	FOOT	1.1	1.47	12.3	BF5C 90L44	FOOT	1.1	1.47	13.6
BF5C 90L42	FOOT	1.5	2.01	14.0	BF5C 90L64	FOOT	1.5	2.01	15.3
BF5C 90S22	FLANGE	1.1	1.47	12.3	BF5C 90L44	FLANGE	1.1	1.47	13.6
BF5C 90L42	FLANGE	1.5	2.01	14.0	BF5C 90L64	FLANGE	1.5	2.01	15.3
BF5C 100L42	FOOT	2.2	2.95	20.5	BF5C 100L44	FOOT	2.2	2.95	21.5
BF5C 100L42	FLANGE	2.2	2.95	20.5	BF5C 100L44	FLANGE	2.2	2.95	21.5
BF5C 112M42	FOOT	3	4.02	17.5	BF5C 112M44	FOOT	3	4.02	25.5
BF5C 112M42	FLANGE	3	4.02	17.5	BF5C 112M44	FLANGE	3	4.02	25.5

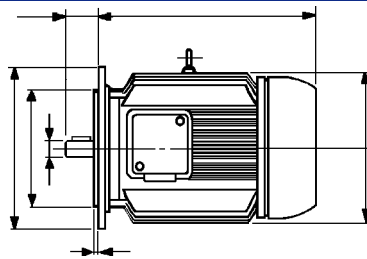
60Hz 1200RPM 6 Pole
115V or 230V
50Hz 1000RPM 6 Pole
110V or 220V

Part Number	Type Mount	kW	HP	Weight kg	Part Number	Type Mount	kW	HP	Weight kg
BF5C 71M46	FOOT	0.12	0.16	6.0	BF5C 90L66	FOOT	0.55	0.74	15.0
BF5C 71M46	FLANGE	0.12	0.16	6.0	BF5C 90L66	FLANGE	0.55	0.74	15.0
BF5C 80M46	FOOT	0.18	0.24	8.5	BF5C 100L46	FOOT	0.75	1.01	20.5
BF5C 80M66	FOOT	0.25	0.34	9.2	BF5C 100L46	FLANGE	0.75	1.01	20.5
BF5C 80M66	FOOT	0.37	0.50	9.2					
BF5C 80M46	FLANGE	0.18	0.24	8.5	BF5C 112M46	FOOT	1.1	1.47	25.5
BF5C 80M66	FLANGE	0.25	0.34	9.2	BF5C 112M46	FLANGE	1.1	1.47	25.5
BF5C 80M66	FLANGE	0.37	0.50	9.2					

MT Type Single Phase Motors with a run capacitor permanently turned on and connected to the auxiliary winding for starting

SINGLE PHASE TEFC CAPACITOR START/RUN METRIC IEC STANDARD

60Hz 3600RPM 2 Pole
115V or 230V
50Hz 3000RPM 2 Pole
110V or 220V



60Hz 1800RPM 4 Pole
115V or 230V
50Hz 1500RPM 4 Pole
110V or 220V

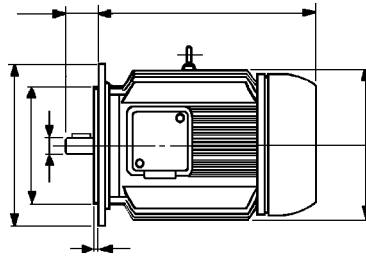
Part Number	Type Mount	kW	HP	Weight kg	Part Number	Type Mount	kW	HP	Weight kg
BF5D 71M42	P	0.37	0.50	5.9	BF5D 71M44	P	0.25	0.34	5.9
BF5D 71M62	P	0.55	0.74	6.3	BF5D 71M44	P	0.37	0.50	5.9
BF5D 71M42	G	0.37	0.50	5.9	BF5D 71M44	G	0.25	0.34	5.9
BF5D 71M62	G	0.55	0.74	6.3	BF5D 71M44	G	0.37	0.50	5.9
BF5D 80M42	P	0.75	1.01	9.8	BF5D 80M44	P	0.55	0.74	10.0
BF5D 80M42	P	1.1	1.47	9.8	BF5D 80M64	P	0.75	1.01	10.0
BF5D 80M42	G	0.75	1.01	9.8	BF5D 80M44	G	0.55	0.74	10.0
BF5D 80M42	G	1.1	1.47	9.8	BF5D 80M64	G	0.75	1.01	10.0
BF5D 90L42	P	1.5	2.01	15.5	BF5D 90L44	P	1.1	1.47	16.5
BF5D 90L62	P	2.2	2.95	15.5	BF5D 90L64	P	1.5	2.01	16.5
BF5D 90L42	G	1.5	2.01	15.5	BF5D 90L44	G	1.1	1.47	16.5
BF5D 90L62	G	2.2	2.95	15.5	BF5D 90L64	G	1.5	2.01	16.5
BF5D 100L42	P	3	4.02	22.0	BF5D 100L44	P	2.2	2.95	23.0
BF5D 100L42	G	3	4.02	22.0	BF5D 100L44	G	2.2	2.95	23.0

XN-XF Type Single Phase Motors
where a high starting torque is
required. Can be equipped with an
auxiliary capacitor which is
connected only in the starting
phase.

SINGLE PHASE TEFC CAPACITOR START METRIC IEC STANDARD

**60Hz 3600RPM 2 Pole
115V or 230V**

**50Hz 3000RPM 2 Pole
110V or 220V**



**60Hz 1800RPM 4 Pole
115V or 230V**

**50Hz 1500RPM 4 Pole
110V or 220V**

Part Number	Type Mount	kW	HP	Weight kg	Part Number	Type Mount	kW	HP	Weight kg
BF5M 71M42	FOOT	0.18	0.24	5.9	BF5M 71M44	FOOT	0.18	0.24	6.0
BF5M 71M42	FOOT	0.25	0.34	5.9	BF5M 71M44	FOOT	0.25	0.34	6.0
BF5M 71M62	FOOT	0.37	0.50	6.3	BF5M 71M44	FLANGE	0.18	0.24	6.0
BF5M 71M42	FLANGE	0.18	0.24	5.9	BF5M 71M44	FLANGE	0.25	0.34	6.0
BF5M 71M42	FLANGE	0.25	0.34	5.9					
BF5M 71M62	FLANGE	0.37	0.50	6.3	BF5M 80M44	FOOT	0.37	0.50	9.0
					BF5M 80M44	FLANGE	0.37	0.50	9.0
BF5M 80M42	FOOT	0.55	0.74	9.8					
BF5M 80M42	FLANGE	0.55	0.74	9.8	BF5M 90S24	FOOT	0.55	0.74	12.2
					BF5M 90L64	FOOT	0.75	1.01	15.5
BF5M 90S22	FOOT	0.75	1.01	12.5	BF5M 90S24	FLANGE	0.55	0.74	12.2
BF5M 90L42	FOOT	1.1	1.47	14.5	BF5M 90L64	FLANGE	0.75	1.01	15.5
BF5M 90L62	FOOT	1.5	2.01	15.5					
BF5M 90S22	FLANGE	0.75	1.01	12.5	BF5M 100L44	FOOT	1.1	1.47	22.0
BF5M 90L42	FLANGE	1.1	1.47	14.5	BF5M 100L44	FOOT	1.5	2.01	22.0
BF5M 90L62	FLANGE	1.5	2.01	15.5	BF5M 100L44	FLANGE	1.1	1.47	22.0
					BF5M 100L44	FLANGE	1.5	2.01	22.0
BF5M 100L42	FOOT	2.2	2.95	21.0					
BF5M 100L42	FLANGE	2.2	2.95	21.0					

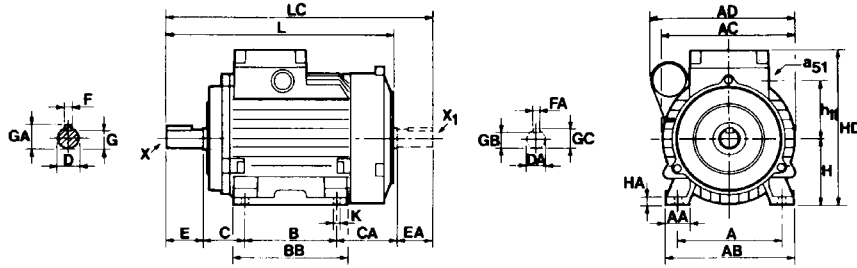
XN-XF Type Single Phase Motors where a high starting torque is required. Can be equipped with an auxiliary capacitor which is connected only in the starting phase.

TEFC SINGLE-PHASE MOTORS

DIMENSIONS

FOOT MOUNTED MOTORS

IM 1001; 1002; 1051; 1052; 1061; 1062; 1071; 1072; 1011; 1012; 1031; 1032



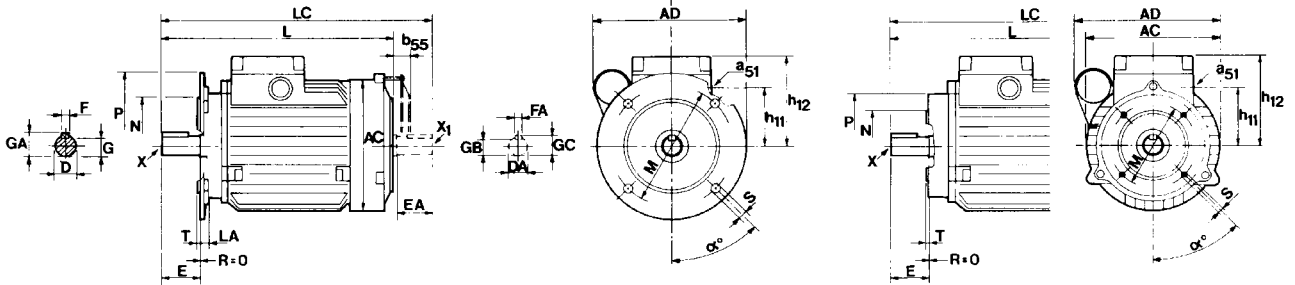
MOTOR TYPE	DIMENSIONS (mm)																													
	A	AA	AB	AC	AD	B	BB	C	CA	H	HA	HD	h11	K	L	LC	a51		SHAFT EXTENSIONS											
																	hole ϕ	cable gland	D*	DA*	E	EA	F	FA	G	GA	GB	GC	X	X1
BF5C 71M	112	25	132	140	165	90	110	45	65	71	8	177	63	7	227	260	22.5	TA16	14	14	30	30	5	5	11	16	11	16	M4 x 10	M4 x 10
BF5C 80M	125	27.5	150	157	175	100	120	50	78	80	9.5	192.5	68.5	10	265	298	22.5	TA16	19	14	40	30	6	5	15.5	21.5	11	16	M6 x 16	M4 x 10
BF5C 90S	140	30	171	180	220	100	127	56	80	90	10	210	78.5	10	283	326	22.5	TA16	24	19	50	40	8	6	20	27	15.5	21.5	M8 x 19	M6 x 16
BF5C 90L	140	30	171	180	220	125	152	56	80	90	10	210	78.5	10	308	351	22.5	TA16	24	19	50	40	8	6	20	27	15.5	21.5	M8 x 19	M6 x 16
BF5C 100L	160	35	195	200	230	140	175	63	91	100	12	235.5	90.5	12	350	404	28.5	TA21	28	24	60	50	8	8	24	31	20	27	M10 x 22	M8 x 19
BF5C 112M	190	40	220	211	236	140	175	70	117	112	12	257.5	88	12	383	437	28.5	TA21	28	24	60	50	8	8	24	31	20	27	M10 x 22	M8 x 19

* Tolerances ISO: 14 j6 $\begin{pmatrix} +0.008 \\ -0.003 \end{pmatrix}$; 19,24 and 28 j6 $\begin{pmatrix} +0.009 \\ -0.004 \end{pmatrix}$

FREE-GOING FIXING HOLES
IM 3001; 3002; 3011; 3012; 3031; 3032

FLANGE MOUNTED MOTORS

THREADED FIXING HOLES
IM 3601; 3602; 3611; 3612; 3631; 3632



MOTOR TYPE	DIMENSIONS (mm)																														
	FLANGE DIMENSIONS					MAIN DIMENSIONS										SHAFT EXTENSIONS															
	Form	IEC	M	N	P	LA	T	α	S	AC	AD	h11	h12	L	LC	b55	a51		SHAFT EXTENSIONS												
	IM																	hole ϕ	cable gland	D*	DA*	E	EA	F	FA	G	GA	GB	GC	X	X1
BF5C 71M	30--	F130	130	110	160	8	3.5	45°	10	140	175	63	106	227	260	19.5	22.5	TA16	14	14	30	30	5	5	11	16	11	16	M4 x 10	M4 x 10	
	36--	F85	85	70	105	-	2.5	45°	M6	140	165	63	106	227	260	19.5	22.5	TA16	14	14	30	30	5	5	11	16	11	16	M4 x 10	M4 x 10	
BF5C 80M	30--	F165	165	130	200	8	3.5	45°	12	157	197	68.5	113	265	298	23	22.5	TA16	19	14	40	30	6	5	15.5	21.5	11	16	M6 x 16	M4 x 10	
	36--	F100	100	80	120	-	3	45°	M6	157	175	68.5	113	265	298	23	22.5	TA16	19	14	40	30	6	5	15.5	21.5	11	16	M6 x 16	M4 x 10	
BF5C 90S	30--	F165	165	130	200	10	3.5	45°	12	180	230	78.5	120	283	326	23	22.5	TA16	24	19	50	40	8	6	20	27	15.5	21.5	M8 x 19	M6 x 16	
	36--	F115	115	95	140	-	3	45°	M8	180	220	78.5	120	283	326	23	22.5	TA16	24	19	50	40	8	6	20	27	15.5	21.5	M8 x 19	M6 x 16	
BF5C 90L	30--	F165	165	130	200	10	3.5	45°	12	180	230	78.5	120	308	351	23	22.5	TA16	24	19	50	40	8	6	20	27	15.5	21.5	M8 x 19	M6 x 16	
	36--	F115	115	95	140	-	3	45°	M8	180	220	78.5	120	308	351	23	22.5	TA16	24	19	50	40	8	6	20	27	15.5	21.5	M8 x 19	M6 x 16	
BF5C 100L	30--	F215	215	180	250	12	4	45°	15	200	255	90.5	136	350	404	23	28.5	TA21	28	24	60	50	8	8	24	31	20	27	M10 x 22	M8 x 19	
	36--	F130	130	110	160	-	3.5	45°	M8	200	230	90.5	136	350	404	23	28.5	TA21	28	24	60	50	8	8	24	31	20	27	M10 x 22	M8 x 19	
BF5C 112M	30--	F215	215	180	250	12	4	45°	15	211	255	88	146	383	437	30	28.5	TA21	28	24	60	50	8	8	24	31	20	27	M10 x 22	M8 x 19	
	36--	F130	130	110	160	-	3.5	45°	M8	211	236	88	146	383	437	30	28.5	TA21	28	24	60	50	8	8	24	31	20	27	M10 x 22	M8 x 19	

* Tolerances ISO: 14 j6 $\begin{pmatrix} +0.008 \\ -0.003 \end{pmatrix}$; 19,24 and 28 j6 $\begin{pmatrix} +0.009 \\ -0.004 \end{pmatrix}$

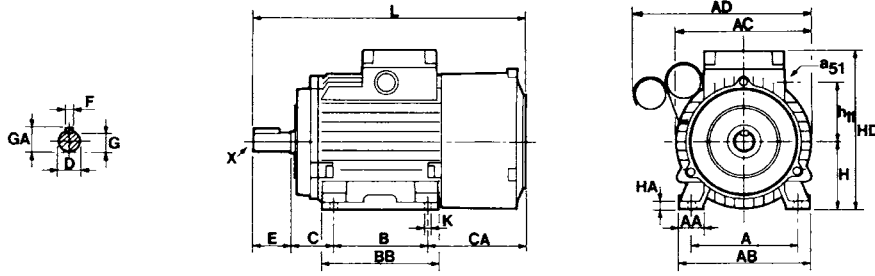
SUBJECT TO MODIFICATION WITHOUT WARNING

TEFC SINGLE-PHASE MOTORS

DIMENSIONS

FOOT MOUNTED MOTORS

IM 1001; 1051; 1061; 1071; 1011; 1031



MOTOR TYPE	DIMENSIONS (mm)																						
	MOTOR DIMENSIONS														SHAFT EXTENSIONS								
	A	AA	AB	AC	AD	B	BB	C	CA	H	HA	HD	h11	K	L	a51 hole #	a51 cable gland	D*	E	F	G	GA	X
BF5D 80M	125	27.5	150	157	212	100	120	50	116	80	9.5	192.5	68.5	10	303	22.5	TA16	19	40	6	15.5	21.5	M6 x 16
BF5D 90S	140	30	171	180	240	100	127	56	117	90	10	210	78.5	10	320	22.5	TA16	24	50	8	20	27	M8 x 19
BF5D 90L	140	30	171	180	240	125	152	56	117	90	10	210	78.5	10	345	22.5	TA16	24	50	8	20	27	M8 x 19
BF5D 100L	160	35	195	200	250	140	175	63	123	100	12	235.5	90.5	12	383	28.5	TA21	28	60	8	24	31	M10 x 22

* Tolerances ISO: 19,24 and 28 j6 $\begin{matrix} +0.009 \\ -0.004 \end{matrix}$

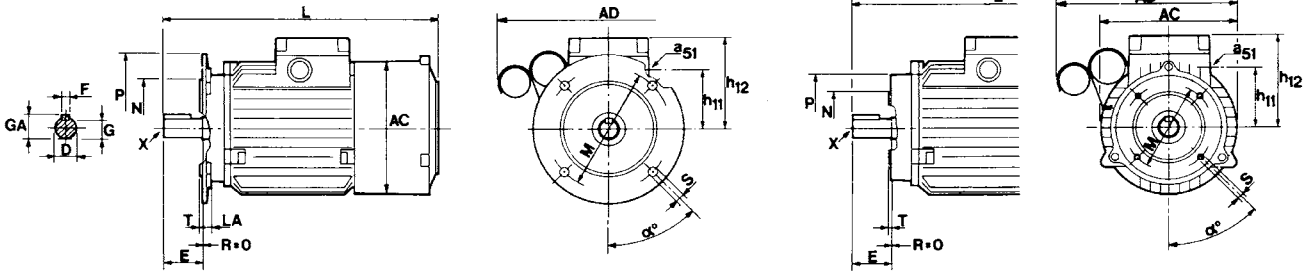
FREE-GOING FIXING HOLES

IM 3001; 3011; 3031

FLANGE MOUNTED MOTORS

THREADED FIXING HOLES

IM 3601; 3611; 3631



MOTOR TYPE	DIMENSIONS (mm)																					
	FLANGE DIMENSIONS										MAIN DIMENSIONS						SHAFT EXTENSIONS					
	Form IM	IEC	M	N	P	LA	T	α	S	AC	AD	h11	h12	L	a51 hole #	a51 cable gland	D*	E	F	G	GA	X
BF5D 80M	30--	F165	165	130	200	8	3.5	45°	12	157	234	68.5	113	303	22.5	TA16	19	40	6	15.5	21.5	M6 x 16
	36--	F100	100	80	120	-	3	45°	M6	157	212	68.5	113	303	22.5	TA16	19	40	6	15.5	21.5	M6 x 16
BF5D 90S	30--	F165	165	130	200	10	3.5	45°	12	180	250	78.5	120	320	22.5	TA16	24	50	8	20	27	M8 x 19
	36--	F115	115	95	140	-	3	45°	M8	180	240	78.5	120	320	22.5	TA16	24	50	8	20	27	M8 x 19
BF5D 90L	30--	F165	165	130	200	10	3.5	45°	12	180	250	78.5	120	345	22.5	TA16	24	50	8	20	27	M8 x 19
	36--	F115	115	95	140	-	3	45°	M8	180	240	78.5	120	345	22.5	TA16	24	50	8	20	27	M8 x 19
BF5D 100L	30--	F215	215	180	250	12	4	45°	15	200	275	90.5	136	383	28.5	TA21	28	60	8	24	31	M10 x 22
	36--	F130	130	110	160	-	3.5	45°	M8	200	250	90.5	136	383	28.5	TA21	28	60	8	24	31	M10 x 22

* Tolerances ISO: 19,24 and 28 j6 $\begin{matrix} +0.009 \\ -0.004 \end{matrix}$

SUBJECT TO MODIFICATION WITHOUT WARNING